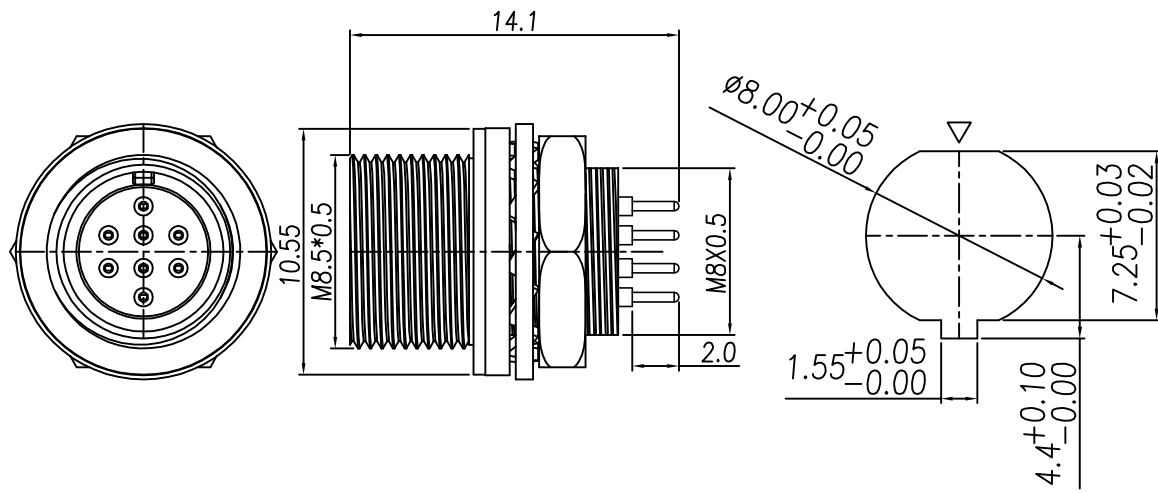


This document is the property of Nian-Yeong Corporation and is delivered on the express condition that it is not to be disclosed, reproduced or used, in whole or in part, for manufacture or sale by anyone other than Nian-Yeong Corporation without its prior consent, and that no right is granted to disclose or to use any information in this document.

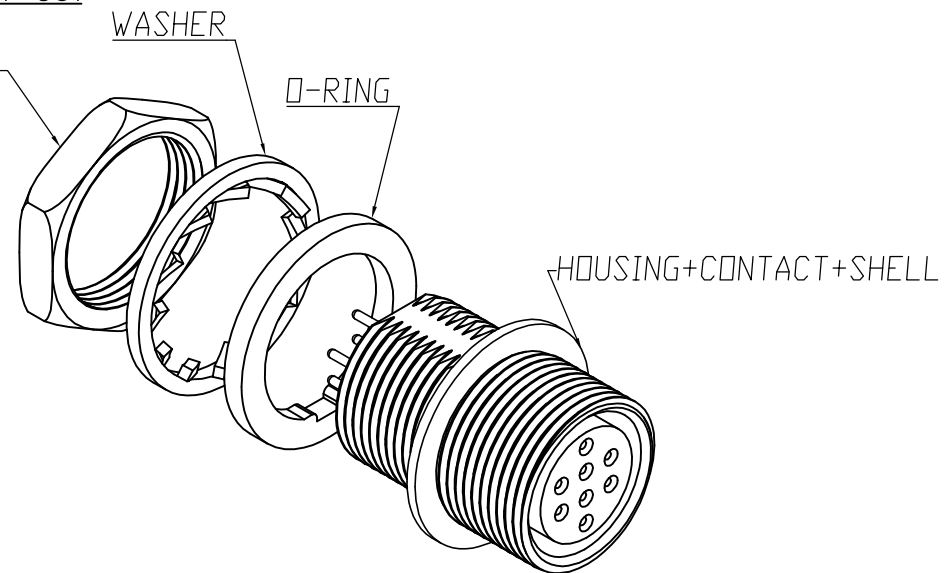
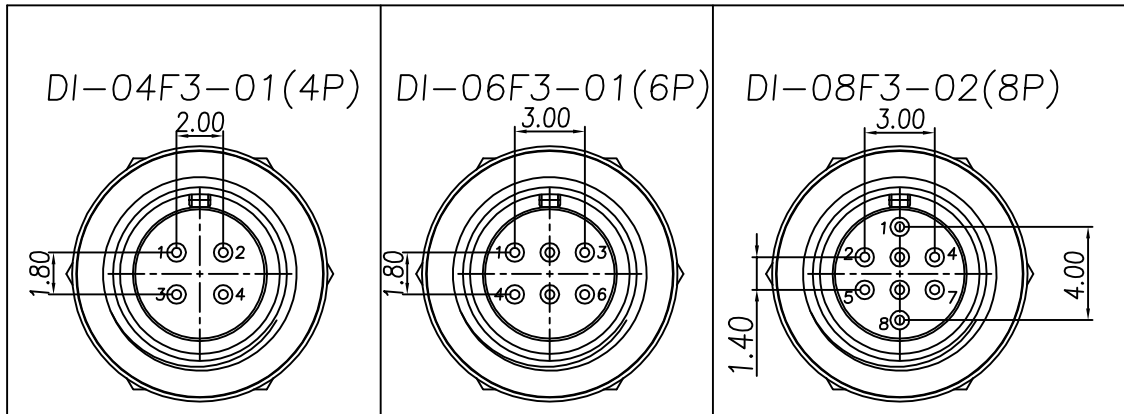
CUSTOMER DRAWING

REV.	DESCRIPTION	APPROVED BY	DATE	ECN NO.
A	RELEASE	Emily Suen	30/12/11*	
B	CHANGE CONTACT FINISH	Ku Chou	30/05/19*	ECN-19006
C	CHANGE MATERIAL	Ku Chou	16/09/22*	



RECOMMEND PANEL CUT-OUT

- MATERIAL :
 - 1-1. HOUSING : NYLON 66 ; COLOR : BLACK
 - 1-2. CONTACT : BRASS
 - 1-3. SHELL : Zinc Alloy
 - 1-4. O-RING : EPDM; COLOR : BLACK
 - 1-5. NUT : BRASS
 - 1-6. WASHER : BRASS
- FINISH :
 - 2-1. CONTACT : 10u" MIN. GOLD PLATED \triangle
UNDER PLATE : NICKEL
 - 2-2. SHELL : NICKEL PLATED .
 - 2-3. NUT : NICKEL PLATED.
- ELECTRICAL SPECIFICATION :
 - 3-1. Rated current : 1A
 - 3-2. Rated voltage : 30V AC , 42V DC
- Environmental :
 - 4-1. Operation Temperature : -25°C~85°C



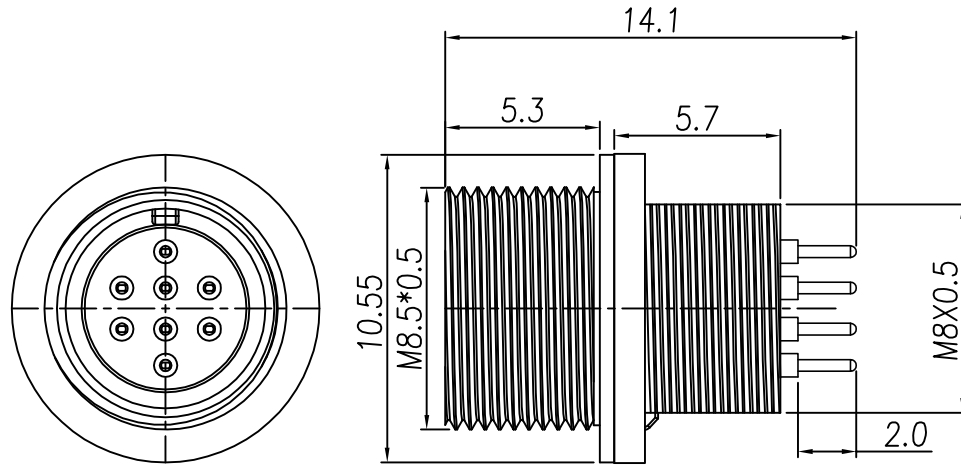
DRAWN	Mark Kao	APPEND	Ku Chou	UNIT	mm	TOLERANCE		TITLE	DIN M8*0.5 (F) 连接器(SHELL:RECEPTACLE)			SHEET	1/2
CHKED	Emily Suen			SCALE	1:1	.x ±0.20 .xx ±0.10 .xxx ±0.05 .xxxx ±0.03 ANGULA ±1°		PART NO.	SEE TABLE	DWG NO.	QC5638	VERSION	B

NIAN YEONG ENTERPRISE
年永實業有限公司

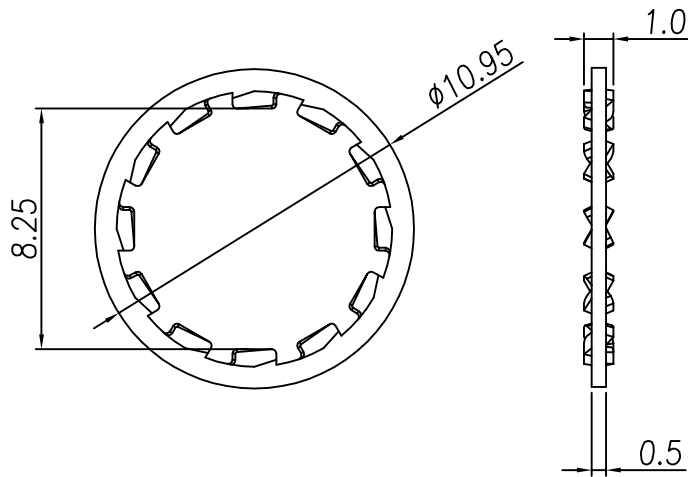
This document is the property of Nian-Yeong Corporation and is delivered on the express condition that it is not to be disclosed, reproduced or used, in whole or in part, for manufacture or sale by anyone other than Nian-Yeong Corporation without its prior consent, and that no right is granted to disclose or to use any information in this document.

CUSTOMER DRAWING

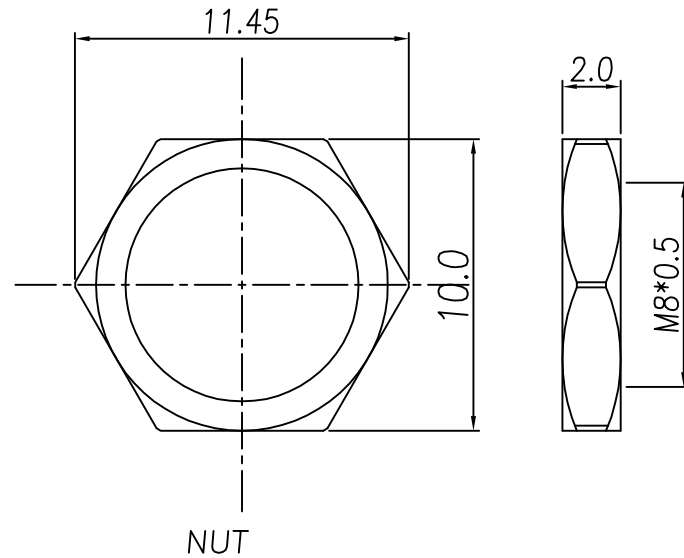
REV.	DESCRIPTION	APPROVED BY	DATE	ECN NO.
A	RELEASE	Emily Suen	30/12/11*	
B	CHANGE CONTACT FINISH	Ku Chou	30/05/19*	ECN-19006
C				



HOUSING+CONTACT+SHELL+O-RING



WASHER



NUT

DRAWN	Mark Kao	APPEND	Ku Chou	UNIT	mm	TOLERANCE		TITLE	DIN M8*0.5 (F) 插板接頭(SHELL-RECEPTACLE)			SHEET	2
CHOKED	Emily Suen			SCALE	1:1	.x ±0.20 .xx ±0.10 .xxx ±0.05 .xxxx ±0.03 ANGULA ±1°		PART NO.	SEE TABLE	DWG NO.	QC5638	VERSION	B

NIAN YEONG ENTERPRISE
年永實業有限公司