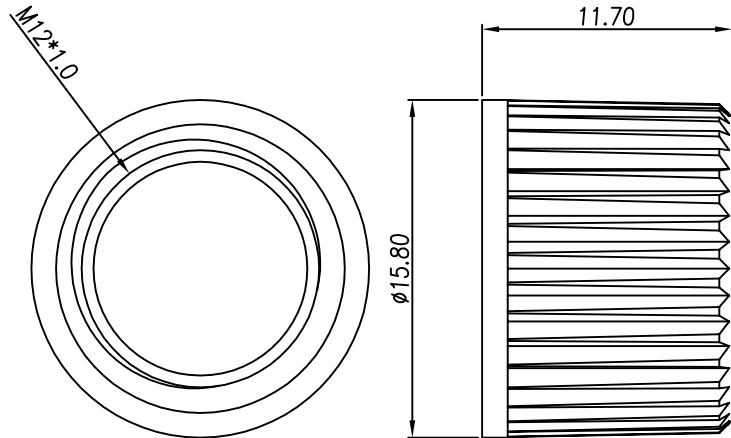
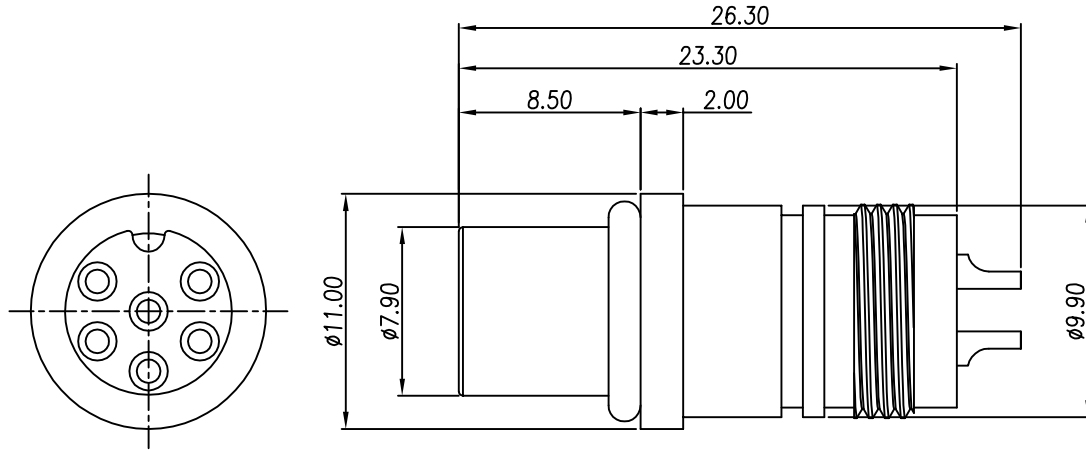


This document is the property of Nian-Yeong Corporation and is delivered on the express condition that it is not to be disclosed, reproduced or used, in whole or in part, for manufacture or sale by anyone other than Nian-Yeong Corporation without its prior consent, and that no right is granted to disclose or to use any information in this document.

CUSTOMER DRAWING

REV.	DESCRIPTION	APPROVED BY	DATE	ECN NO.
A	RELEASE	Fido Weng	11/28/14'	
B				
C				



- MATERIAL :
  - 1-1. HOUSING : PBT UL94V-0 ; COLOR : BLACK
  - 1-2. CONTACT : BRASS
  - 1-3. NUT : PBT UL94V-0 ; COLOR : BLACK
  - 1-4. O-RING : EPDM
- FINISH :
  - 2-1. CONTACT : GOLD FLASH PLATED
  - UNDER PLATE : NICKEL
- ELECTRICAL SPECIFICATION :
  - 3-1. Rated current : 4A
  - 3-2. Rated voltage : 2~4PIN 250V ; 5~6PIN 60V
  - 3-3. Water proof : IP67
- Environmental :
  - 4-1. Operation Temperature : -20℃~85℃

TABLE A

WP-06F2-30-11	
WP-05F2-96-11	WP-04F2-120-11
WP-03F2-45-11	WP-02F2-29-11

DRAWN	Ku Chou	APPEND	Emily Suen	UNIT	mm	TOLERANCE		TITLE	M12防水頭 (F) 焊線式			SHEET
CHOKED	Emily Suen			SCALE	1:1	.x ±0.20 .xx ±0.10 .xxx ±0.05 .xxxx ±0.03 ANGULA ±1°		PART NO.	SEE TABLE A	DWG NO.	QC6883	VERSION

NIAN YEONG ENTERPRISE  
年永實業有限公司