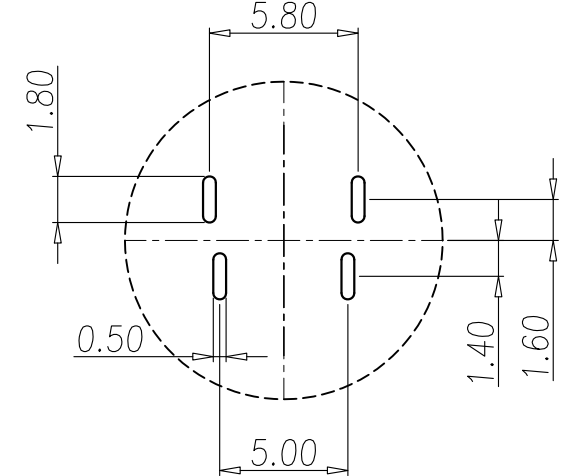
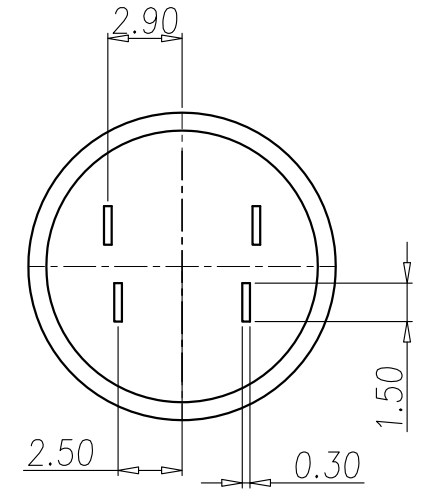
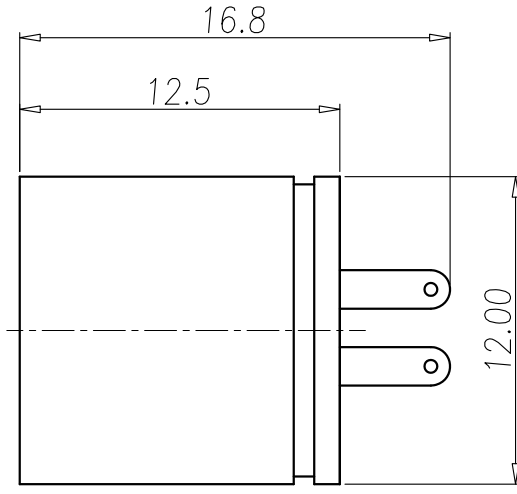
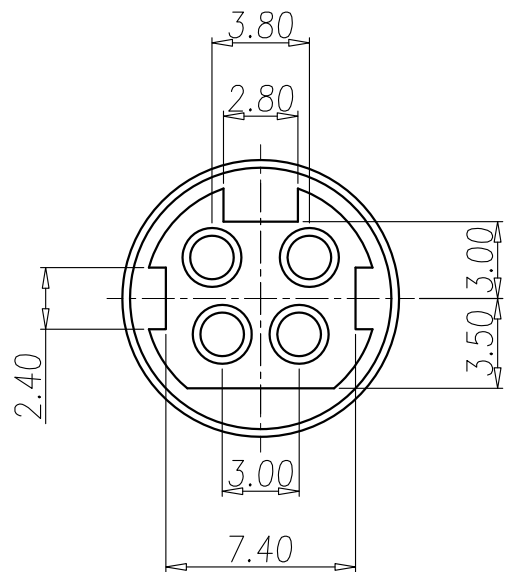


This document is the property of Nian-Yeong Corporation and is delivered on the express condition that it is not to be disclosed, reproduced or used, in whole or in part, for manufacture or sale by anyone other than Nian-Yeong Corporation without its prior consent, and that no right is granted to disclose or to use any information in this document.

CUSTOMER DRAWING

REV.	DESCRIPTION	APPL. BY	DATE	ECN NO.
A	RELEASE	Fido Weng	06/02/09*	
B				
C				



NOTE:

1. MATERIAL:
 - 1-1. HOUSING : PBT UL94V-0 ; COLOR : BLACK
 - 1-2. CONTACT : COPPER ALLOY
 - 1-3. SHELL : COPPER ALLOY
2. PLATING:
 - 2-1. CONTACT : TIN PLATED 60u" OVER NICKEL
 - 2-2. SHELL : NICKEL PLATED 60u" ~ 100u" OVER ALL
3. ELECTRICAL SPECIFICATION :
 - 3-1. RATED CURRENT : 7.5A/DC MAX
 - 3-2. RATED VOLTAGE : 25V/DC MAX
4. ENVIRONMENTAL :
 - 4-1. OPERATION TEMPERATURE : -20 °C ~ 85°C

Recommend P.C.B Layout.

DRAW	Jen Xie	APPVL	Fido Weng	UNIT	mm	TOLERANCE	.x ±0.20 .xx ±0.15 .xxx ±0.10 .xxxx ±0.05 ANGULA ±1°	TITLE	POWER DIN 4PIN (F) LOCK			SHEET	1/1
CHECK	Emily Suen			SCALE	1:1			PART NO.	PD-04F1-02	DWG NO.	QC1876	VERSION	A

