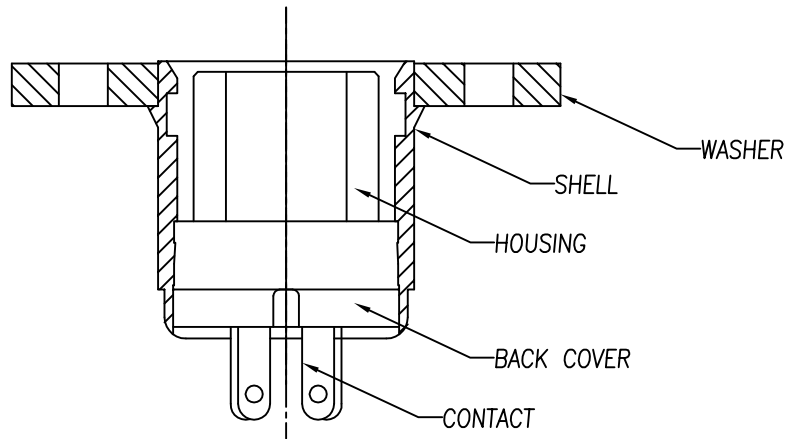
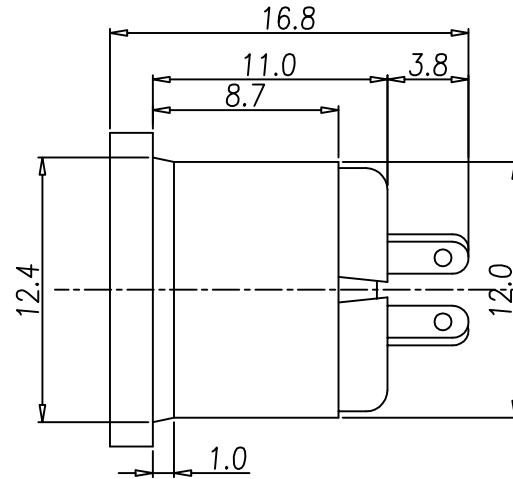
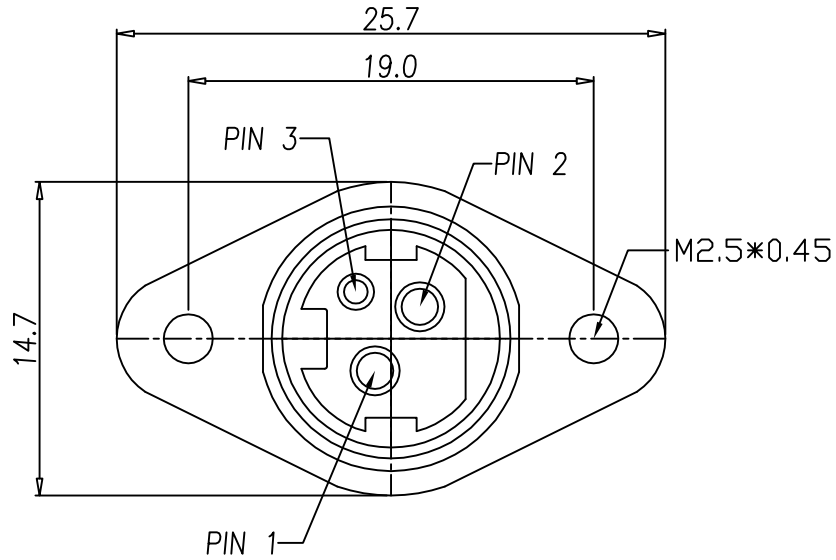


This document is the property of Nian-Yeong Corporation and is delivered on the express condition that it is not to be disclosed, reproduced or used, in whole or in part, for manufacture or sale by anyone other than Nian-Yeong Corporation without its prior consent, and that no right is granted to disclose or to use any information in this document.

CUSTOMER DRAWING

REV.	DESCRIPTION	APPVL. BY	DATE	ECN NO.
A	RELEASE	Fido Weng	10/09/09*	ECN09145
B				
C				



NOTE:

1.MATERIAL:

- 1-1. HOUSING : PBT UL94V-0 ; COLOR : BLACK
- 1-2. CONTACT : PHOSPHOR BRONZE
- 1-3. SHELL : BRASS
- 1-4. BACK COVER : PBT UL94V-0 ; COLOR : BLACK
- 1-5. WASHER : BRASS

2.PLATING:

- 2-1. CONTACT : TIN PLATED 60u" OVER NICKEL
- 2-2. SHELL : NICKEL PLATED 60u" ~ 100u" OVER ALL

3.ELETRICAL SPECICATION :

- 3-1. RATED CURRENT : P1~2-7.5A / P3-1A
- 3-2. RATED VOLTAGE : 20V/DC MAX

4. ENVIRONMENTAL :

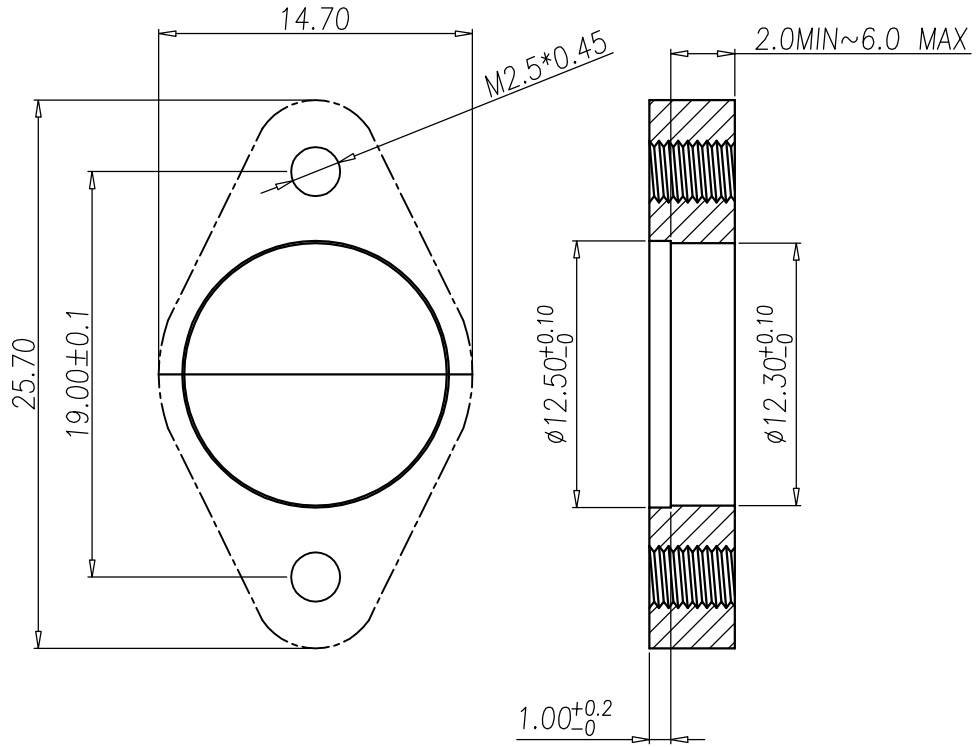
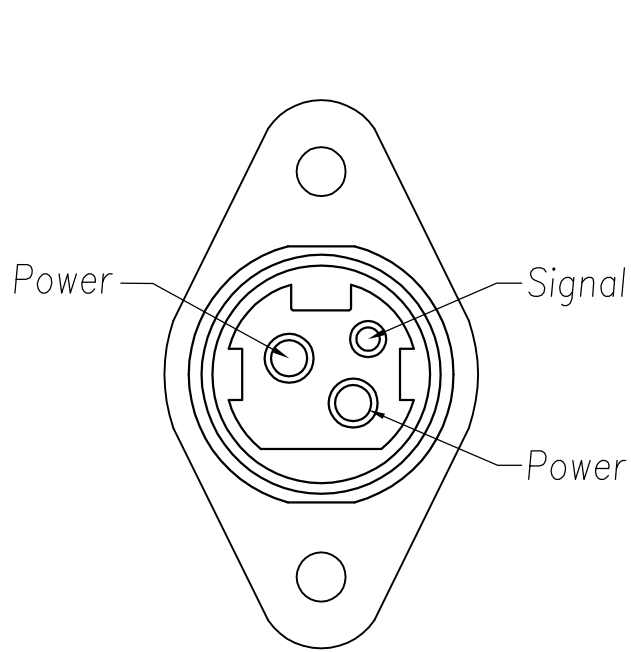
- 4-1. OPERATION TEMPERATURE : -20℃~85℃

DRAW	Ku Chou	APPVL	Fido Weng	UNIT	mm	<table border="1"> <tr> <td>.x</td> <td>±0.20</td> </tr> <tr> <td>.xx</td> <td>±0.15</td> </tr> <tr> <td>.xxx</td> <td>±0.10</td> </tr> <tr> <td>.xxxx</td> <td>±0.05</td> </tr> <tr> <td>ANGULA</td> <td>±1°</td> </tr> </table>	.x	±0.20	.xx	±0.15	.xxx	±0.10	.xxxx	±0.05	ANGULA	±1°		<b>NIAN YEONG ENTERPRISE</b> 年永實業有限公司	TITLE	POWER DIN SOCKET 3PIN(F)(ROTATE 90度)			SHEET	1/2
.x	±0.20																							
.xx	±0.15																							
.xxx	±0.10																							
.xxxx	±0.05																							
ANGULA	±1°																							
CHECK	Emily Suen	SCALE	1:1	PART NO.	PD-03F2-06	DWG NO.	QC4419	VERSION	A															

This document is the property of Nian-Yeong Corporation and is delivered on the express condition that it is not to be disclosed, reproduced or used, in whole or in part, for manufacture or sale by anyone other than Nian-Yeong Corporation without its prior consent, and that no right is granted to disclose or to use any information in this document.

CUSTOMER DRAWING

REV.	DESCRIPTION	APPL. BY	DATE	ECN NO.
A	RELEASE	Fido Weng	10/09/09*	ECN09145
B				
C				



RECOMMEND PANEL CUT-OUT

DRAW	Ku Chou	APPVL	Fido Weng	UNIT	mm	TOLERANCE		TITLE	POWER DIN SOCKET 3PIN(F)(ROTATE 90度)			SHEET	2/2
CHECK	Emily Suen			SCALE	1:1	.x ±0.20 .xx ±0.15 .xxx ±0.10 .xxxx ±0.05 ANGULA ±1°		PART NO.	PD-03F2-06	DWG NO.	QC4419	VERSION	A

NIAN YEONG ENTERPRISE  
年永實業有限公司