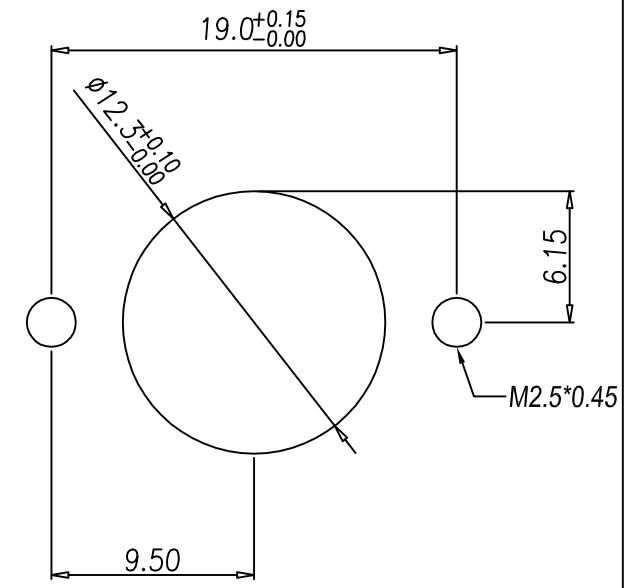
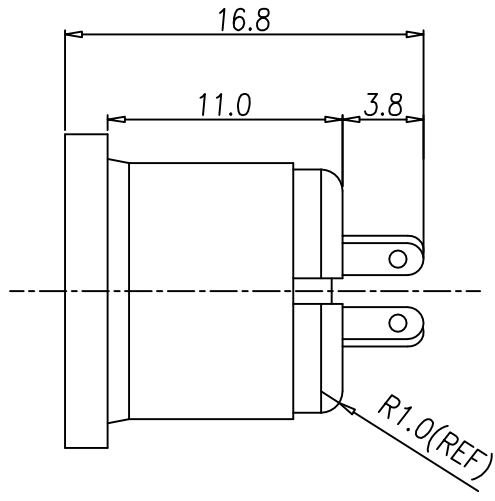
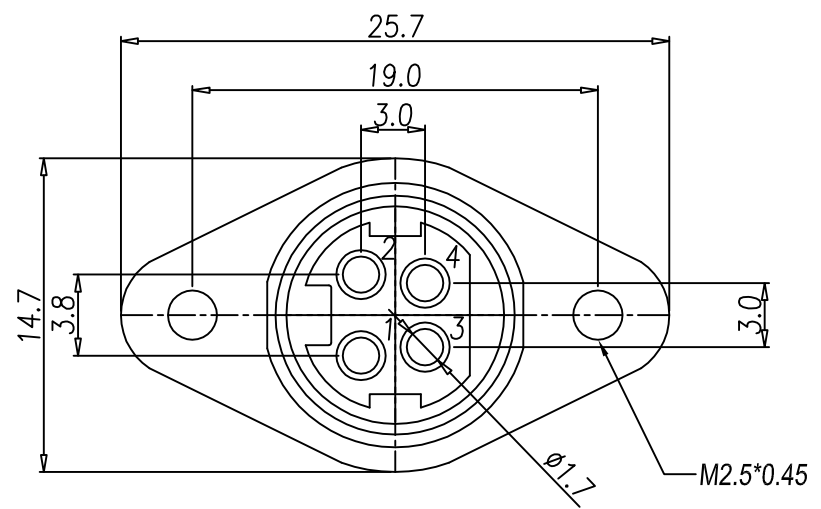


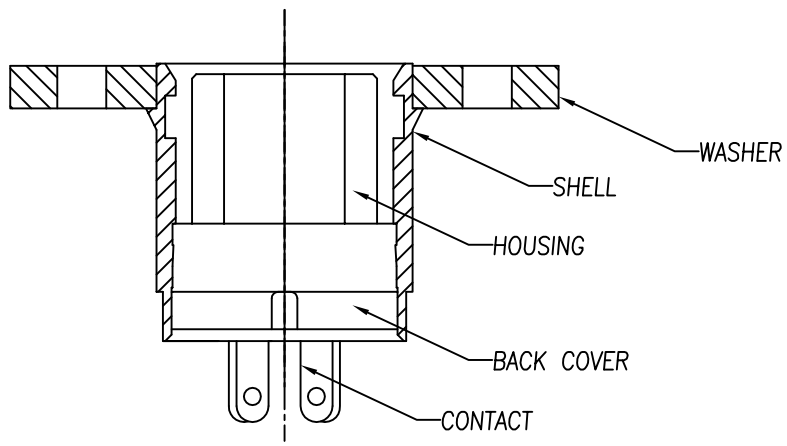
This document is the property of Nian-Yeong Corporation and is delivered on the express condition that it is not to be disclosed, reproduced or used, in whole or in part, for manufacture or sale by anyone other than Nian-Yeong Corporation without its prior consent, and that no right is granted to disclose or to use any information in this document.

CUSTOMER DRAWING

REV.	DESCRIPTION	APPVL. BY	DATE	ECN NO.
A	RELEASE	Fido Weng	13/04/09*	ECN09083
B				
C				



RECOMMEND PANEL CUT-OUT



- NOTE:
- MATERIAL:
    - 1-1. HOUSING : PBT UL94V-0 ; COLOR : BLACK
    - 1-2. CONTACT : PHOSPHOR BRONZE
    - 1-3. SHELL : BRASS
    - 1-4. BACK COVER : PBT UL94V-0 ; COLOR : BLACK
    - 1-5. WASHER : BRASS
  - PLATING:
    - 2-1. CONTACT : TIN PLATED 60u" OVER NICKEL
    - 2-2. SHELL : NICKEL PLATED 60u" ~ 100u" OVER ALL
  - ELECTRICAL SPECIFICATION :
    - 3-1. RATED CURRENT : 7.5A/DC MAX
    - 3-2. RATED VOLTAGE : 20V/DC MAX
  - ENVIRONMENTAL :
    - 4-1. OPERATION TEMPERATURE : -20 °C~85°C

DRAW	Ku Chou	APPVL	Fido Weng	UNIT	mm	TOLERANCE .x ±0.25 .xx ±0.15 .xxx ±0.10 .xxxx ±0.05 ANGULA ±1°		TITLE	POWER DIN 4(F) SOCKET (Rotate 90°)			SHEET	
CHECK	Emily Suen			SCALE	1:1						PART NO.	PD-04F2-12	