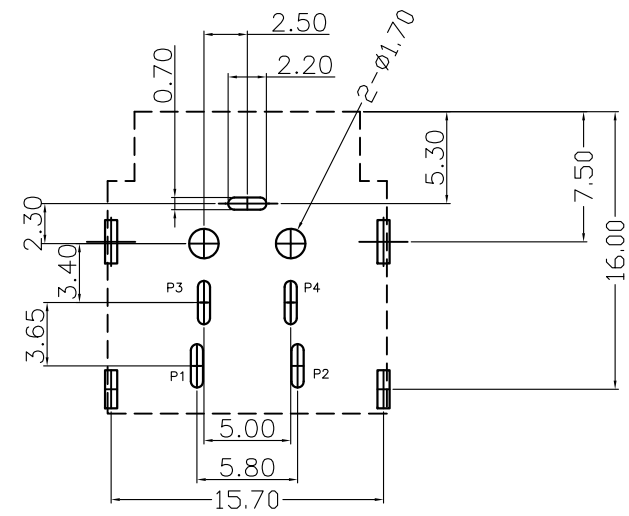
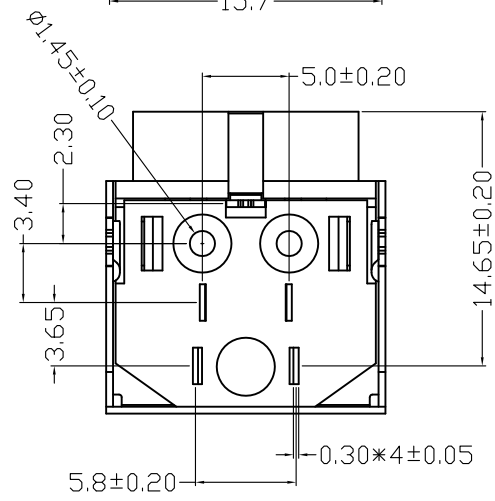
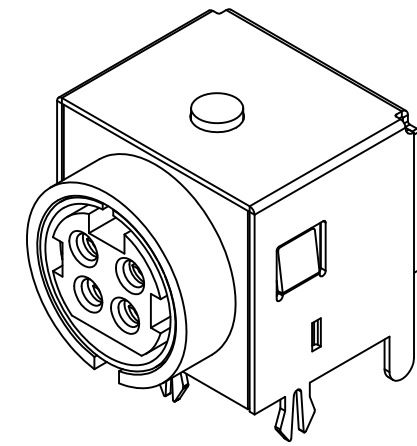
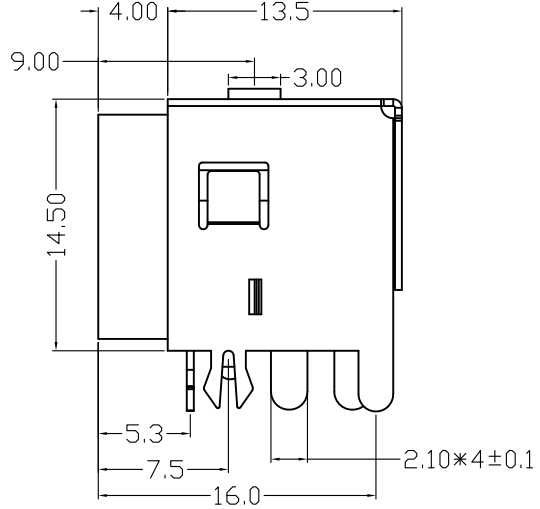
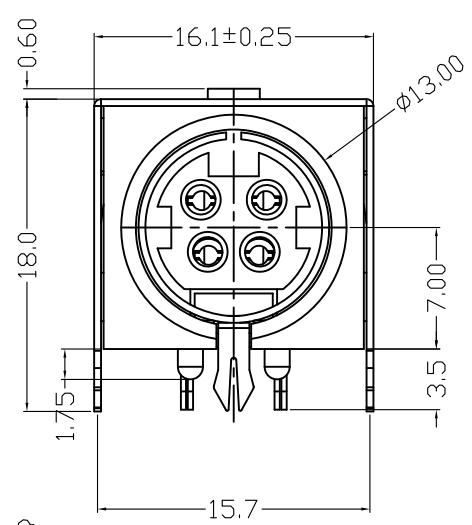


This document is the property of Nian-Yeong Corporation and is delivered on the express condition that it is not to be disclosed, reproduced or used, in whole or in part, for manufacture or sale by anyone other than Nian-Yeong Corporation without its prior consent, and that no right is granted to disclose or to use any information in this document.

CUSTOMER DRAWING

REV.	DESCRIPTION	APPL. BY	DATE	ECN NO.
A	RELEASE	Emily Suen	09/03/12*	
B				
C				



- MATERIAL :
 - 1-1. HOUSING : SEE TABLE A
 - 1-2. CONTACT : PHOSPHOR BRONZE
 - 1-3. GROUND : BRASS
 - 1-4. SHELL : SPCC
- FINISH :
 - 2-1. CONTACT : SILVER PLATING OVER NICKEL
 - 2-2. GROUND : NICKEL PLATED OVER ALL
 - 2-3. SHELL : TIN PLATED OVER ALL
- ELECTRICAL SPECIFICATION :
 - 3-1. RATED CURRENT : 7.5A/DC MAX
 - 3-2. RATED VOLTAGE : 20V/DC MAX
- ENVIRONMENTAL :
 - 4-1. OPERATION TEMPERATURE : -20 °C~85°C

Recommend P.C.B Layout
(BOTTOM VIEW)

TABLE A

PD-04F2-15	LCP
PD-04F2-09	PBT
P/N	MATERIAL

DRAW	Mark Kao	APPVL	Ku Chou	UNIT	mm	TOLERANCE	NIAN YEONG ENTERPRISE 年永實業有限公司		TITLE	PowerDin 4(F) 板端DIP 加鐵殼			SHEET
CHECK	Emily Suen			SCALE	1:1	.x ±0.20 .xx ±0.10 .xxx ±0.05 .xxxx ±0.01 ANGULA ±1°			PART NO.	SEE TABLE A	DWG NO.	QC2034	1 2 VERSION A

This document is the property of Nian-Yeong Corporation and is delivered on the express condition that it is not to be disclosed, reproduced or used, in whole or in part, for manufacture or sale by anyone other than Nian-Yeong Corporation without its prior consent, and that no right is granted to disclose or to use any information in this document.

CUSTOMER DRAWING

REV.	DESCRIPTION	APPVL. BY	DATE	ECN NO.
A	RELEASE	Fido Weng	08/03/09*	
B				
C				

步驟一:

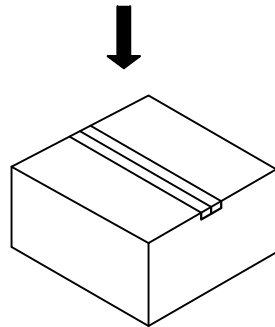
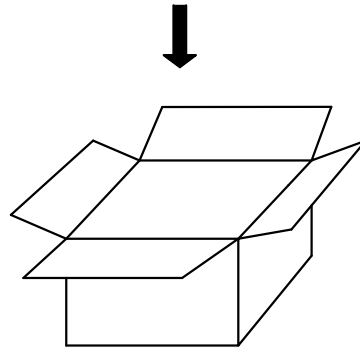
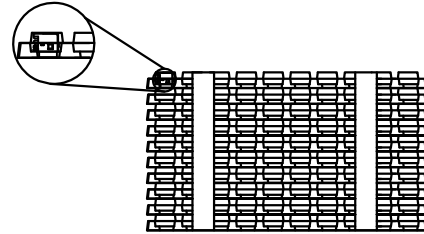
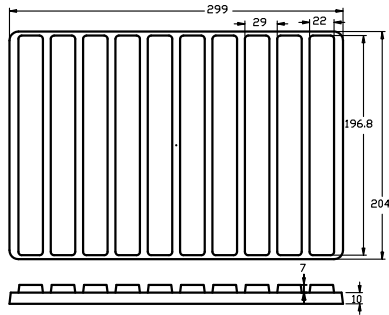
- 將成品一一放入包裝盤內,依同一方向置入.
- 包裝方式,如圖所示.
- 一個包裝盤 100pcs.

步驟二:

- 一個紙箱可以裝 10 個包裝盤
- 每盤 100pcs, 每箱 1000pcs.
- 膠模固定後將包裝盤放紙箱中,後封箱.

步驟三:

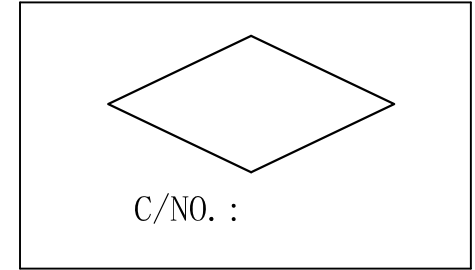
- 用膠帶將紙箱封實.
- 將標籤貼於紙箱上.



紙箱

標籤處

ITEM NO:
 QTY: PGS
 N. W. : KG
 G. W. : KG
 MEAS:



NOTE:

- 若有未裝滿之零數箱,必須以緩衝材塞滿.
- 在搬運過程中要輕拿輕放.
- 載運輸中不可堆放過多,不可有重壓現象.

DRAW	Ren Liao	APPVL	Fido Weng	UNIT	mm	TOLERANCE	 NIAN YEONG ENTERPRISE 年永實業有限公司	TITLE	PowerDin 4(F)板端DIP加鐵殼			SHEET	2
CHECK	Emily Suen			SCALE	1:1	.x ±0.20 .xx ±0.10 .xxx ±0.05 .xxxx ±0.03 ANGULA ±1°		PART NO.	SEE TABLE A	DWG NO.	QC2034	VERSION	A