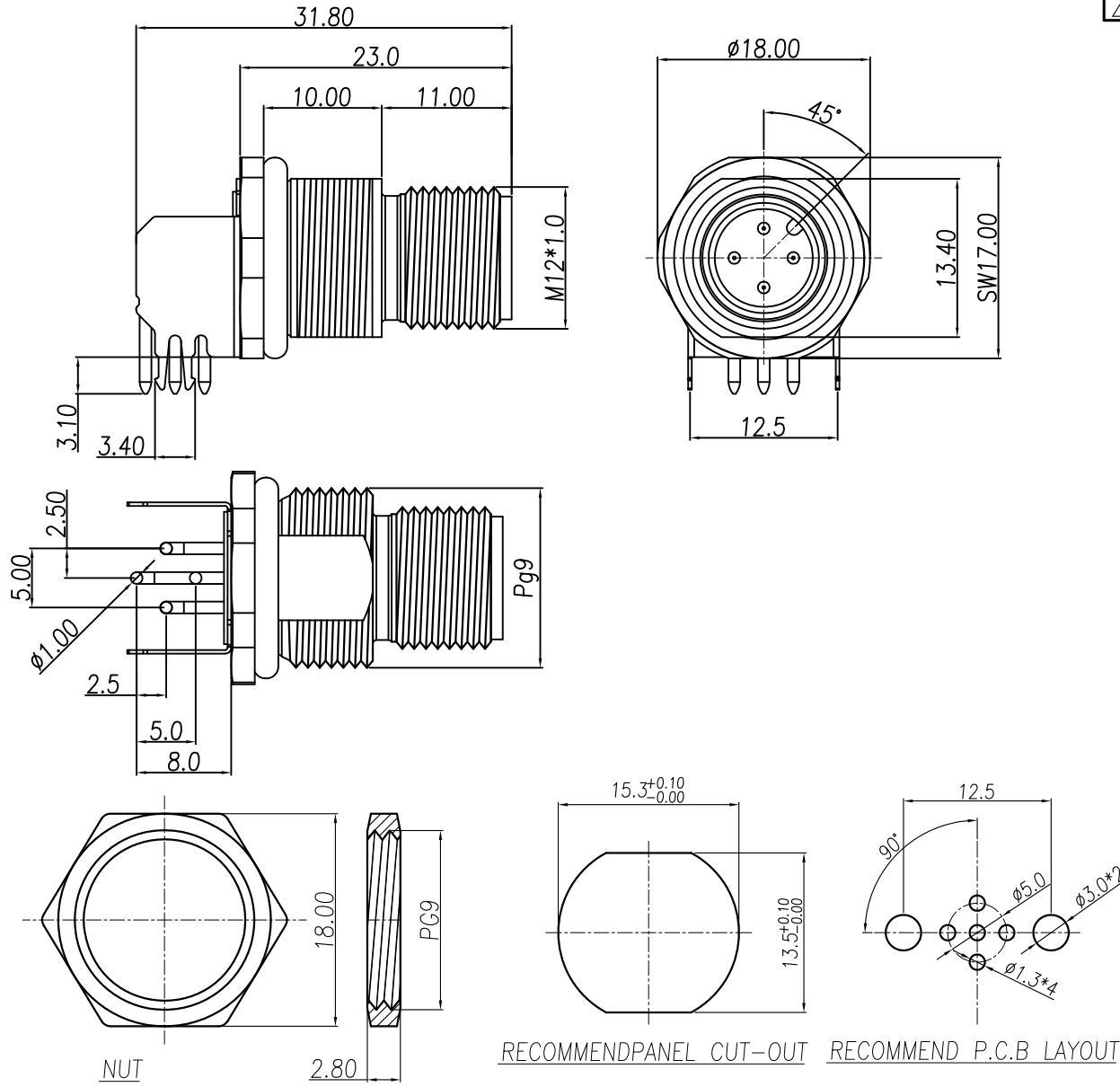


This document is the property of Nian-Yeong Corporation and is delivered on the express condition that it is not to be disclosed, reproduced or used, in whole or in part, for manufacture or sale by anyone other than Nian-Yeong Corporation without its prior consent, and that no right is granted to disclose or to use any information in this document.

CUSTOMER DRAWING

REV.	DESCRIPTION	APPROVED BY	DATE	ECN NO.
A				
B				
C				



- MATERIAL :
 - HOUSING : PBT UL94V-0 ; COLOR : BLACK
 - CONTACT : BRASS.
 - NUT : BRASS.
 - SHELL : BRASS.
 - O-RING : EPDM
 - GROUND : PHOSPHOR BRONZE
- FINISH :
 - CONTACT : 10 MICRO INCHES MIN. GOLD PLATED UNDER PLATE : NICKEL
 - NUT : NICKEL PLATED
 - SHELL : NICKEL PLATED
 - GROUND : BIRGHT TIN PLATED
- ELECTRICAL SPECIFICATION :
 - Rated current : 4A
 - Rated voltage : 2~4PIN 250V ; 5PIN 60V
 - Water proof : IP68 When Un-mated
- Environmental :
 - Operation Temperature : -40°C~85°C

TABLE A

WP-05M2-95-11	WP-03M2-54-11	WP-03M2-55-11
WP-04M2-107-11	WP-02M2-37-11	

RECOMMEND PANEL CUT-OUT RECOMMEND P.C.B LAYOUT

DRAWN	Ku Chou	APP'D	Emily Suen	UNIT	mm	TOLERANCE		TITLE	WP M12 A-CODE (M) 前置90° DIP+接地			SHEET	
CHK'D	Emily Suen			SCALE	1:1	.x ±0.20 .xx ±0.10 .xxx ±0.05 .xxxx ±0.01 ANGULA ±1°			PART NO.	SEE TABLE A	DWG NO.	QC7311	VERSION A

NIAN YEONG ENTERPRISE
年永實業有限公司