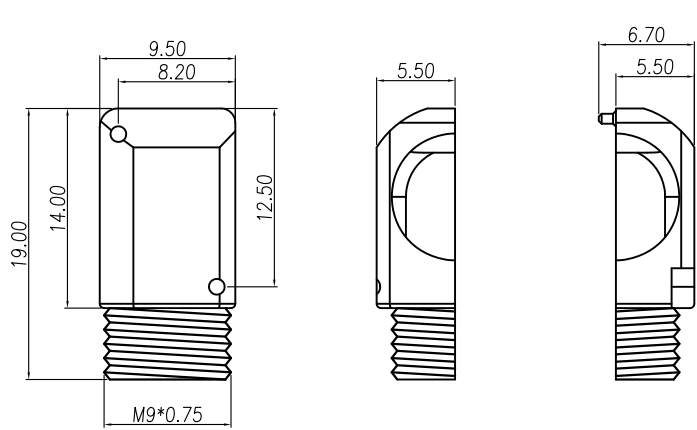


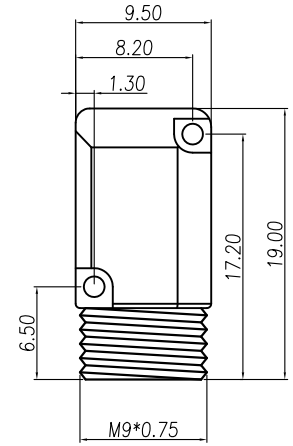
This document is the property of Nian-Yeong Corporation and is delivered on the express condition that it is not to be disclosed, reproduced or used, in whole or in part, for manufacture or sale by anyone other than Nian-Yeong Corporation without its prior consent, and that no right is granted to disclose or to use any information in this document.

CUSTOMER DRAWING

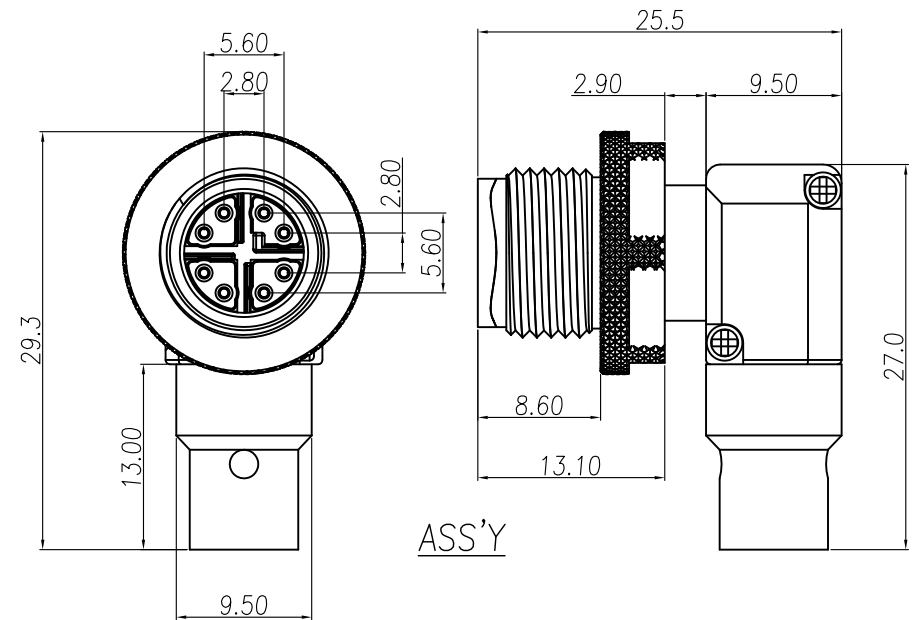
REV.	DESCRIPTION	APPROVED BY	DATE	ECN NO.
A	RELEASE	Fido Weng	15/11/17	
B				
C				



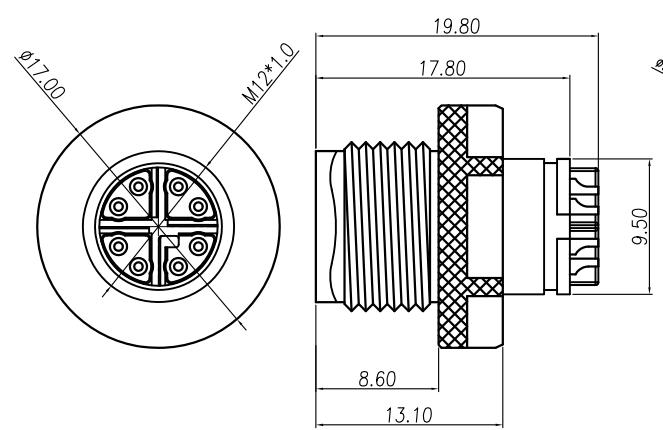
COVER 1



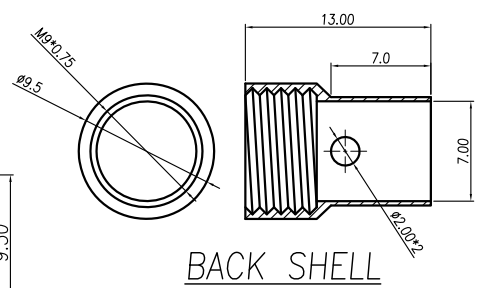
COVER 2



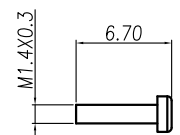
ASS'Y



NUT & CONTACT & HOUSING & SHELL



BACK SHELL



SCREW

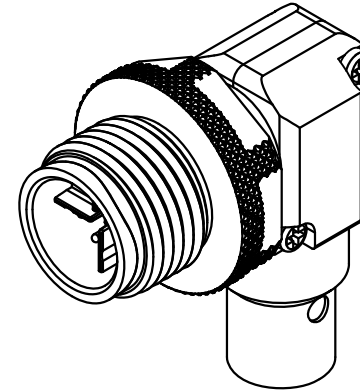
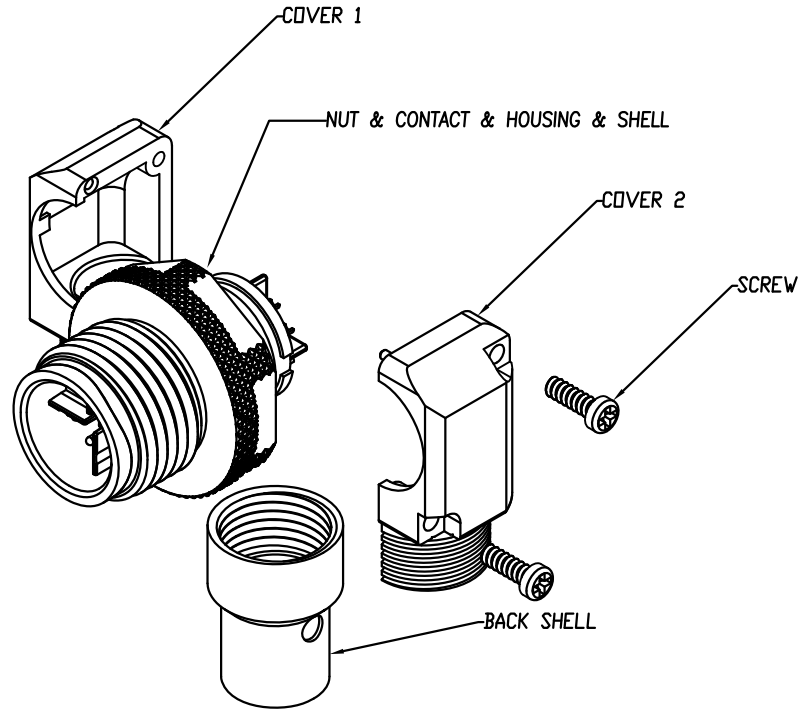
- MATERIAL :
 - HOUSING : PBT UL94V-0 ; COLOR : BLACK
 - CONTACT : BRASS
 - NUT : BRASS
 - SHELL : Zn ALLOY
 - COVER 1 : Zn ALLOY
 - COVER 2 : Zn ALLOY
 - BACK SHELL : BRASS.
 - SCREW : LOW CARBON STEEL.
- FINISH :
 - CONTACT : 10 MICRO INCHES MIN. GOLD PLATED
UNDER PLATE : NICKEL
 - NUT : NICKEL PLATED
 - SHELL : NICKEL PLATED
 - COVER 1 : NICKEL PLATED
 - COVER 2 : NICKEL PLATED
 - BACK SHELL : NICKEL PLATED
 - SCREW : NICKEL PLATED
- ELECTRICAL SPECIFICATION :
 - Rated current : 0.5A
 - Rated Voltage : 48V
 - Water proof: IPX7
- Environmental :
 - Operation Temperature : -40°C~85°C

DRAWN	Ku Chou	APPEND	Fido Weng	UNIT	mm	TOLERANCE	 NIAN YEONG ENTERPRISE 年永實業有限公司	TITLE	防水類 M12 8PIN X-Code (M) 線端插板90°轉接式			SHEET	1/2
CHKD	Emily Suen			SCALE	1:1	.x ±0.20 .xx ±0.10 .xxx ±0.05 .xxxx ±0.03 ANGULA ±1°		PART NO.	WP-08M2-68-11	DWG NO.	QC8033	VERSION	A

This document is the property of Nian-Yeong Corporation and is delivered on the express condition that it is not to be disclosed, reproduced or used, in whole or in part, for manufacture or sale by anyone other than Nian-Yeong Corporation without its prior consent, and that no right is granted to disclose or to use any information in this document.

CUSTOMER DRAWING

REV.	DESCRIPTION	APPROVED BY	DATE	ECN NO.
A	RELEASE	Fido Weng	15/11/17*	
B				
C				



1. MATERIAL :
 - 1-1. HOUSING : PBT UL94V-0 ; COLOR : BLACK
 - 1-2. CONTACT : BRASS
 - 1-3. NUT : BRASS
 - 1-4. SHELL : Zn ALLOY
 - 1-5. COVER 1 : Zn ALLOY
 - 1-6. COVER 2 : Zn ALLOY
 - 1-7. BACK SHELL : BRASS.
 - 1-8. SCREW : LOW CARBON STEEL.
2. FINISH :
 - 2-1. CONTACT : 10 MICRO INCHES MIN. GOLD PLATED
UNDER PLATE : NICKEL
 - 2-2. NUT : NICKEL PLATED
 - 2-3. SHELL : NICKEL PLATED
 - 2-4. COVER 1 : NICKEL PLATED
 - 2-5. COVER 2 : NICKEL PLATED
 - 2-6. BACK SHELL : NICKEL PLATED
 - 2-7. SCREW : NICKEL PLATED
3. ELECTRICAL SPECIFICATION :
 - 3-1. Rated current : 0.5A
 - 3-2. Rated Voltage : 48V
 - 3-3. Water proof: IPX7
4. Environmental :
 - 4-1. Operation Temperature : -40°C~85°C

DRAWN	Ku Chou	APPEND	Fido Weng	UNIT	mm	TOLERANCE		NIAN YEONG ENTERPRISE 年永實業有限公司	TITLE	防水環 M12 8PIN X-Code (M) 線纜插頭90°轉接式			SHEET	2
CHOKED	Emily Suen			SCALE	1:1	.x ±0.20 .xx ±0.10 .xxx ±0.05 .xxxx ±0.03 ANGULA ±1°			PART NO.	WP-08M2-68-11	DWG NO.	QC8033	VERSION	A