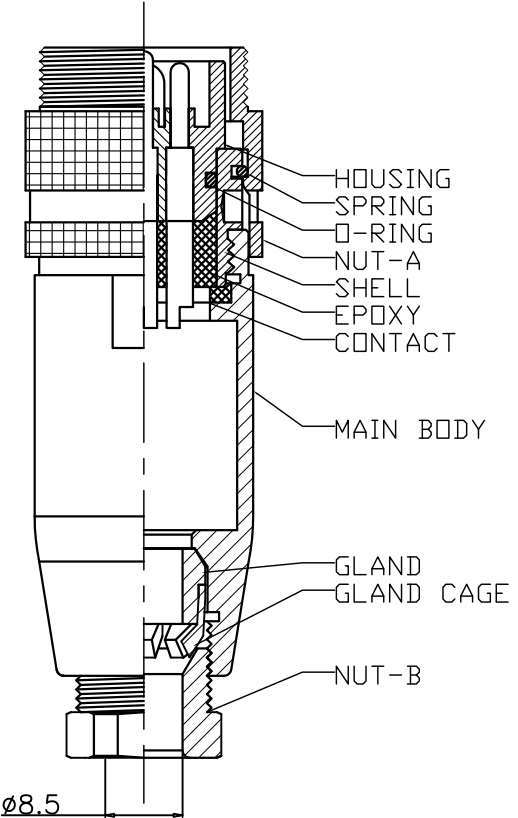
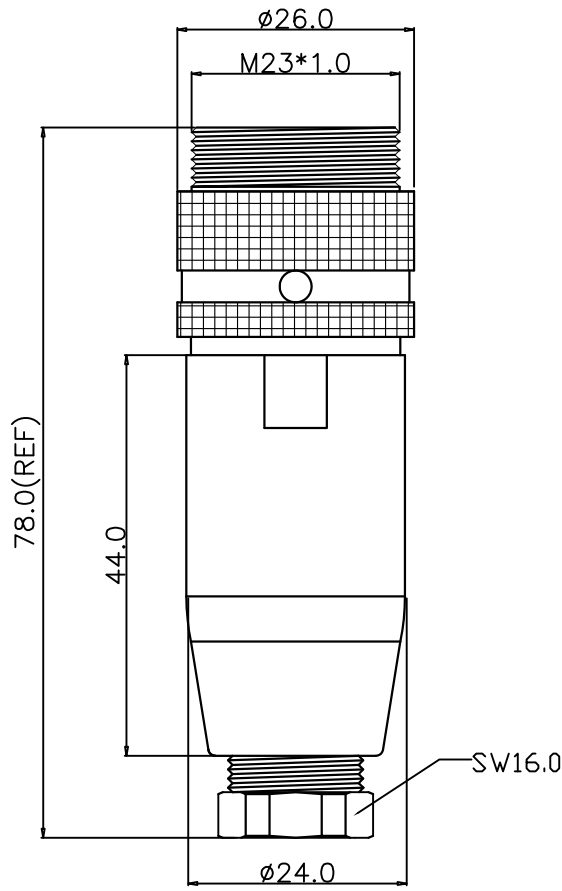
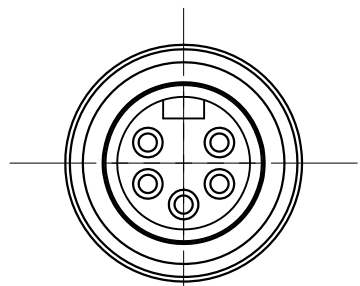


This document is the property of Nian-Yeong Corporation and is delivered on the express condition that it is not to be disclosed, reproduced or used, in whole or in part, for manufacture or sale by anyone other than Nian-Yeong Corporation without its prior consent, and that no right is granted to disclose or to use any information in this document.

CUSTOMER DRAWING

REV.	DESCRIPTION	APPROVED BY	DATE	ECN NO.
A	RELEASE	Fido Weng	25/11/11*	
B				
C				



1. MATERIAL :
 - 1-1. HOUSING : PBT UL94V-0 ; COLOR : BLACK.
 - 1-2. SPRING : STAINLESS STEEL.
 - 1-3. O-RING : EPDM ; COLOR : BLACK.
 - 1-4. NUT-A : BRASS.
 - 1-5. SHELL : BRASS.
 - 1-6. CONTACT : BRASS.
 - 1-7. MAIN BODY : ALUMINUM ALLOY.
 - 1-8. GLAND : SILICONE COLOR : BLACK.
 - 1-9. GLAND CAGE : POM ; COLOR : WHITE.
 - 1-10. NUT-B : ALUMINUM ALLOY.
2. FINISH :
 - 2-1. NUT-A : SATING NICKEL PLATED OVER ALL
 - 2-2. SHELL : SATING NICKEL PLATED OVER ALL
 - 2-3. CONTACT : 30 MICRO INCHES MIN. GOLD PLATED.
 - 2-4. MAIN BODY : SATING NICKEL PLATED OVER ALL
 - 2-5. NUT-B : SATING NICKEL PLATED OVER ALL
3. ELECTRICAL SPECIFICATION :
 - 3-1. Rated current : 20A
 - 3-2. Rated voltage : 250V
 - 3-3. Water proof : IP67
4. Environmental :
 - 4-1. Operation Temperature : -40°C~85°C

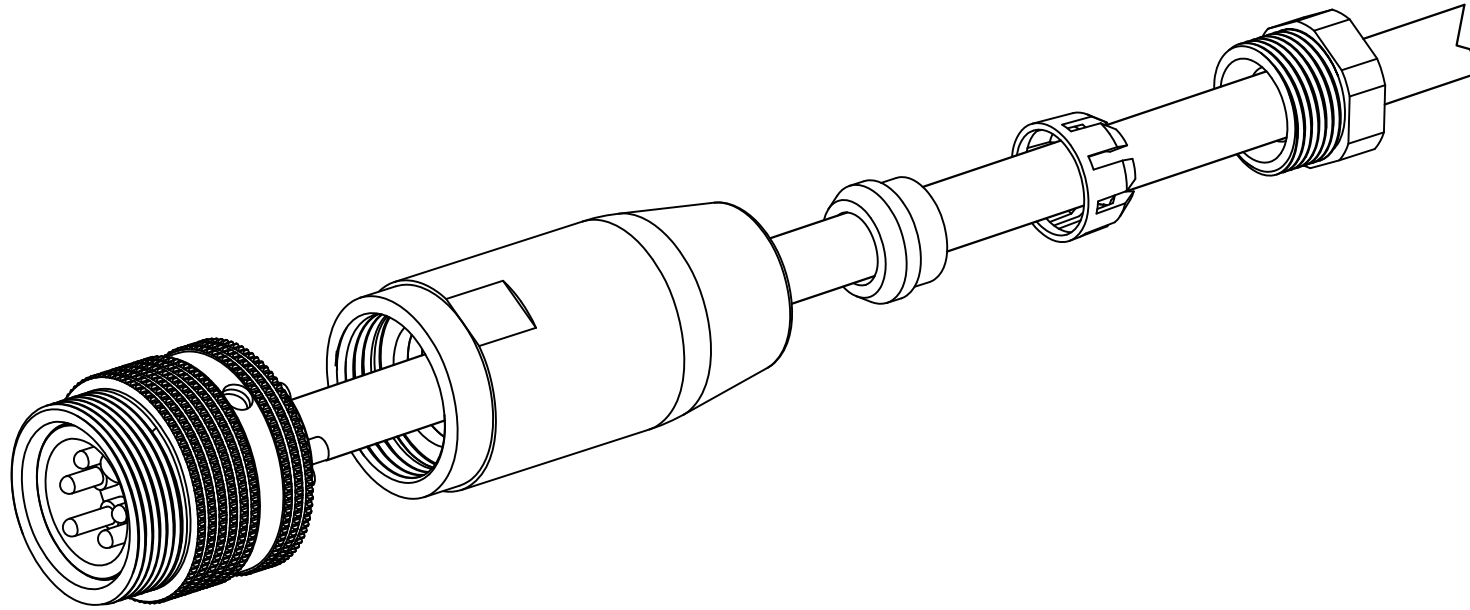
DRAWN	Ku Chou	APP'D	Emily Suen	UNIT	mm	TOLERANCE			TITLE	M23 5PIN (M) Assembly type			SHEET
CHK'D	Emily Suen			SCALE	1:1	.x ±0.25 .xx ±0.10 .xxx ±0.05 .xxxx ±0.03 ANGULA ±1°			PART NO.	WP-05M2-59	DWG NO.	QC5643	VERSION
												1/2	
												A	

This document is the property of Nian-Yeong Corporation and is delivered on the express condition that it is not to be disclosed, reproduced or used, in whole or in part, for manufacture or sale by anyone other than Nian-Yeong Corporation without its prior consent, and that no right is granted to disclose or to use any information in this document.

CUSTOMER DRAWING

REV.	DESCRIPTION	APPROVED BY	DATE	ECN NO.
A	RELEASE	Fido Weng	25/11/11'	
B				
C				

ASSEMBLY INSTRUCTION



DRAWN	Ku Chou	APP'D	Emily Suen	UNIT	mm	TOLERANCE	  	TITLE	M23 5PIN (M) Assembly type			SHEET	1/2
CHK'D	Emily Suen			SCALE	1:1	.x ±0.25 .xx ±0.10 .xxx ±0.05 .xxxx ±0.03 ANGULA ±1°		PART NO.	WP-05M2-59	DWG NO.	QC5643	VERSION	A

NIAN YEONG ENTERPRISE
年永實業有限公司