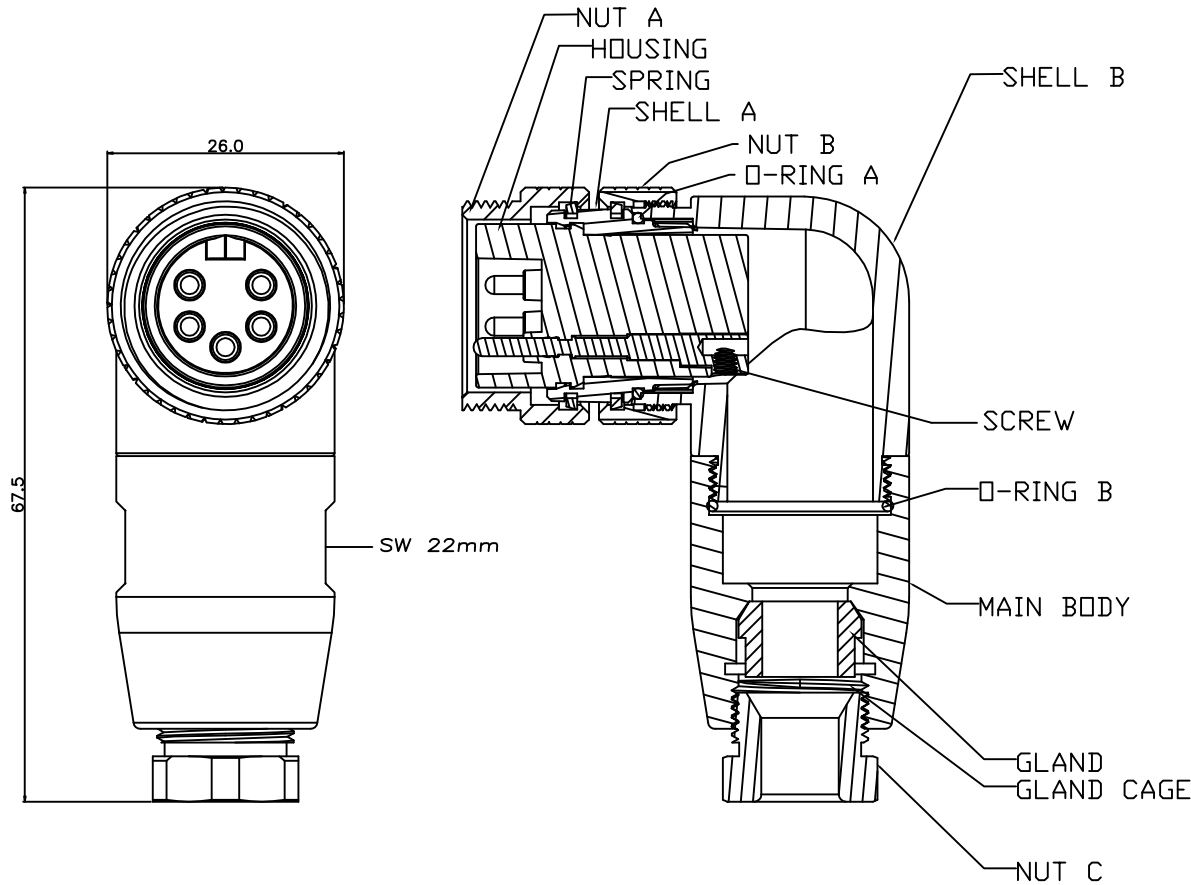
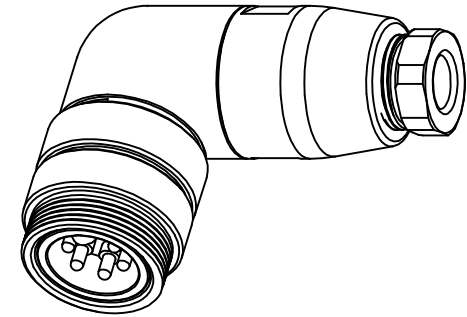


This document is the property of Nian-Yeong Corporation and is delivered on the express condition that it is not to be disclosed, reproduced or used, in whole or in part, for manufacture or sale by anyone other than Nian-Yeong Corporation without its prior consent, and that no right is granted to disclose or to use any information in this document.

CUSTOMER DRAWING

REV.	DESCRIPTION	APPROVED BY	DATE	ECN NO.
A				
B				
C				



1. MATERIAL :

- 1-1. HOUSING : TPU ; COLOR : YELLOW.
- 1-2. SPRING : STAINLESS STEEL.
- 1-3. O-RING A : NBR ; COLOR : BLACK.
- 1-4. NUT A : BRASS.
- 1-5. NUT B : BRASS.
- 1-6. SHELL A : ALUMINIUM ALLOY
- 1-7. SHELL B : ALUMINIUM ALLOY
- 1-8. CONTACT : BRASS.
- 1-9. SCREW : ALLOY STEEL
- 1-10. MAIN BODY : ALUMINIUM ALLOY
- 1-11. GLAND : SILICONE COLOR : BLACK.
- 1-12. GLAND CAGE : POM ; COLOR : WHITE.
- 1-13. NUT C : ALUMINIUM ALLOY
- 1-14. O-RING B : SILICONE ; COLOR : BLACK.
- 1-15. O-RING C : SILICONE ; COLOR : BLACK

2. FINISH :

- 2-1. NUT A : NICKEL PLATED OVER ALL
- 2-2. NUT B : NICKEL PLATED OVER ALL
- 2-3. SHELL A : NICKEL PLATED OVER ALL
- 2-4. SHELL B : NICKEL PLATED OVER ALL
- 2-5. CONTACT : GOLD FLASH MIN. GOLD PLATED.
- 2-6. SCREW : NICKEL PLATED OVER ALL
- 2-7. MAIN BODY : NICKEL PLATED OVER ALL
- 2-8. NUT C : NICKEL PLATED OVER ALL

3. ELECTRICAL SPECIFICATION :

- 3-1. Rated current : 20A
- 3-2. Rated voltage : 250V
- 3-3. Water proof : IP67

4. Environmental :

- 4-1. Operation Temperature : -40℃~85℃

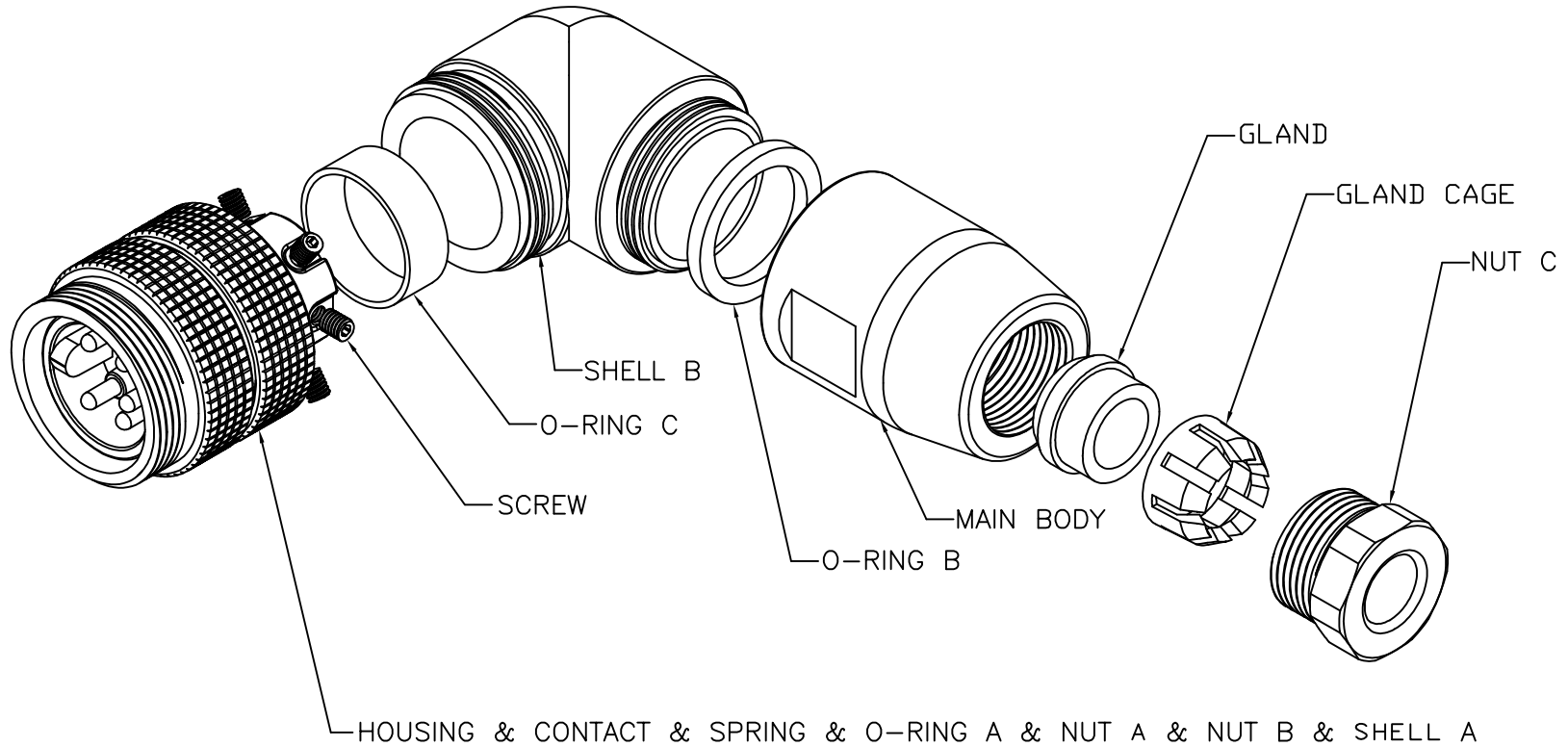
DRAWN	LEO	APP'D	Emily Suen	UNIT	mm	TOLERANCE			TITLE	M23 5PIN (M) 90° Assembly type			SHEET
CHK'D	Emily Suen			SCALE	1:1	.x ±0.25 .xx ±0.10 .xxx ±0.05 .xxxx ±0.03 ANGULA ±1°			PART NO.	WP-05M2-91-11	DWG NO.	QC7255	VERSION
												A	

This document is the property of Nian-Yeong Corporation and is delivered on the express condition that it is not to be disclosed, reproduced or used, in whole or in part, for manufacture or sale by anyone other than Nian-Yeong Corporation without its prior consent, and that no right is granted to disclose or to use any information in this document.

CUSTOMER DRAWING

REV.	DESCRIPTION	APPROVED BY	DATE	ECN NO.
A	RELEASE	Emily Suen	25/10/11'	
B				
C				
D				

ASSEMBLY INSTUCTION



DRAWN	Emily Suen	APPVL	Ku Chou	UNIT	mm	TOLERANCE .x ±0.20 .xx ±0.10 .xxx ±0.05 .xxxx ±0.03 ANGULA ±1°		TITLE	M23 5PIN (M) 90° Assembly type			SHEET	2/2
CHK'D	Emily Suen			SCALE	1:1			NIAN YEONG ENTERPRISE 年永實業有限公司	PART NO.	WP-05M2-91-11	DWG NO.	QC7255	VERSION