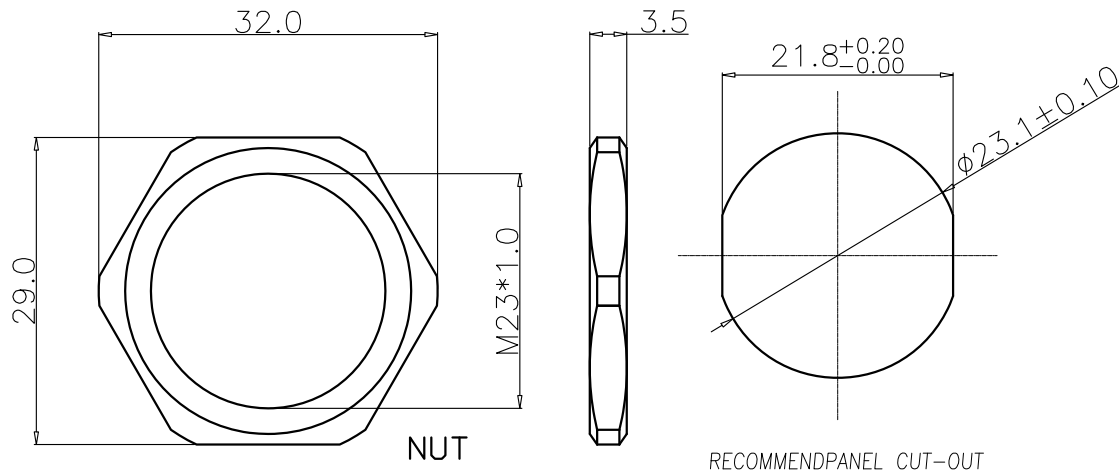
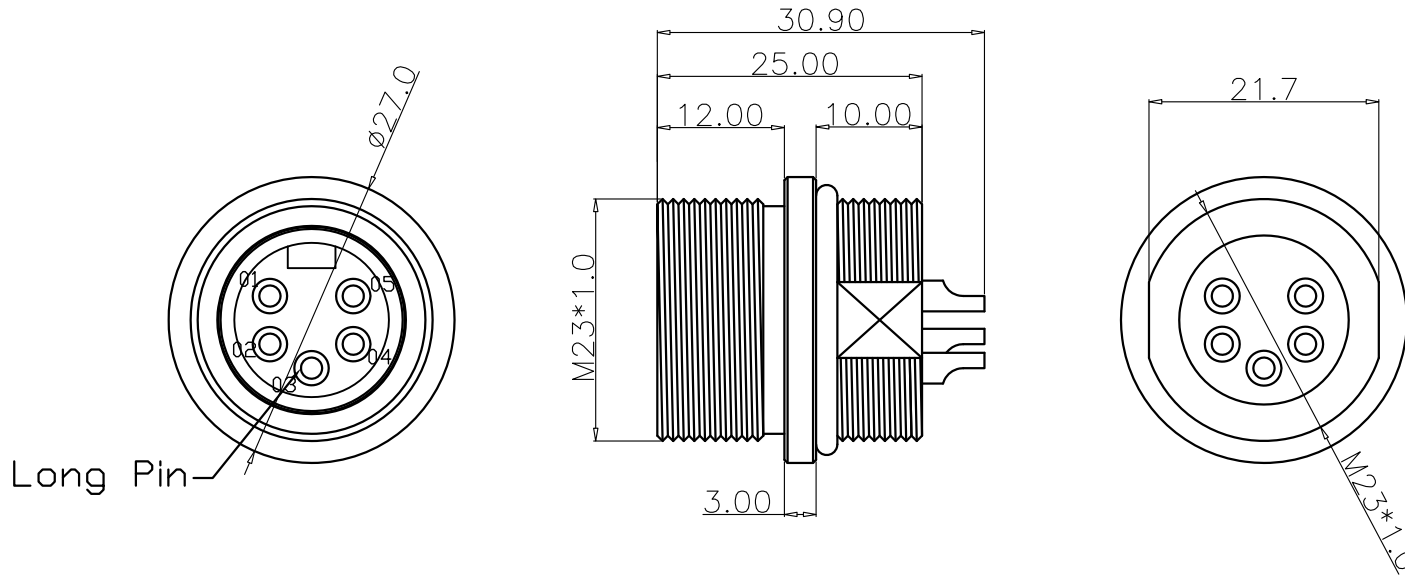


This document is the property of Nian-Yeong Corporation and is delivered on the express condition that it is not to be disclosed, reproduced or used, in whole or in part, for manufacture or sale by anyone other than Nian-Yeong Corporation without its prior consent, and that no right is granted to disclose or to use any information in this document.

CUSTOMER DRAWING

REV.	DESCRIPTION	APPROVED BY	DATE	ECN NO.
A	RELEASE	Fido Weng	24/07/14*	
B				
C				



- MATERIAL :
  - 1-1. HOUSING : PBT UL94V-0 ; COLOR : YELLOW
  - 1-2. CONTACT : BRASS
  - 1-3. SHELL : BRASS
  - 1-4. NUT : BRASS
  - 1-5. O-RING-A : EPDM ; COLOR : BLACK
  - 1-6. O-RING-B : SILICONE ; COLOR : BROWN
- FINISH :
  - 2-1. CONTACT : GOLD FLASH PLATED
  - 2-2. SHELL : NICKEL PLATED OVER ALL
  - 2-3. NUT : NICKEL PLATED OVER ALL
- ELECTRICAL SPECIFICATION :
  - 3-1. Rated current : 20A
  - 3-2. Rated voltage : 250V
  - 3-3. Water proof : IP67
- Environmental :
  - 4-1. Operation Temperature : -40°C~85°C

DRAWN	Ku Chou	APP'D	Emily Suen	UNIT	mm	TOLERANCE	.x ±0.20 .xx ±0.10 .xxx ±0.05 .xxxx ±0.03 ANGULA ±1°	TITLE	防水頭 M23 5PIN(M)後鑽焊線式			SHEET	1/1
CHK'D	Emily Suen	SCALE	1:1	PART NO.	WP-05M2-90-11	DWG NO.	QC7158	VERSION	A				
				 <b>NIAN YEONG ENTERPRISE</b> 年永實業有限公司									