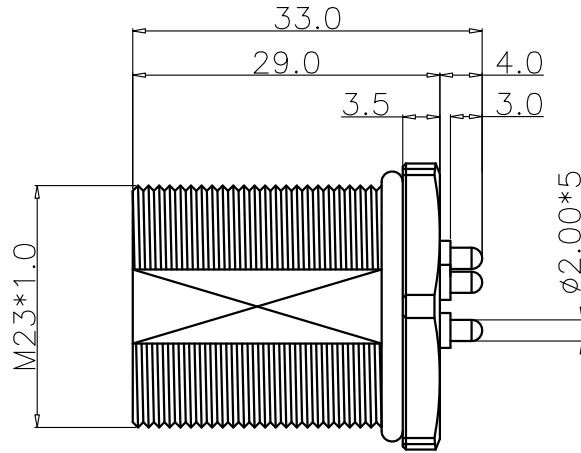
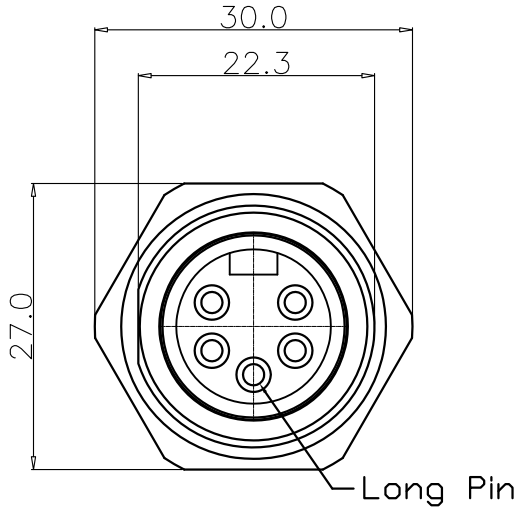


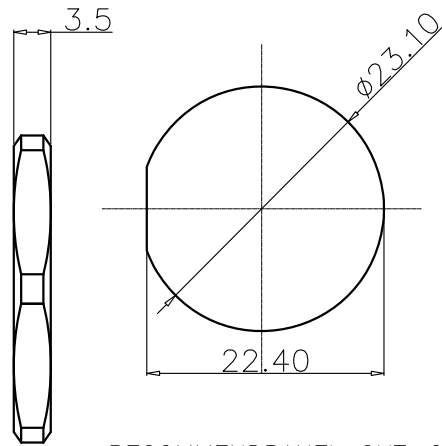
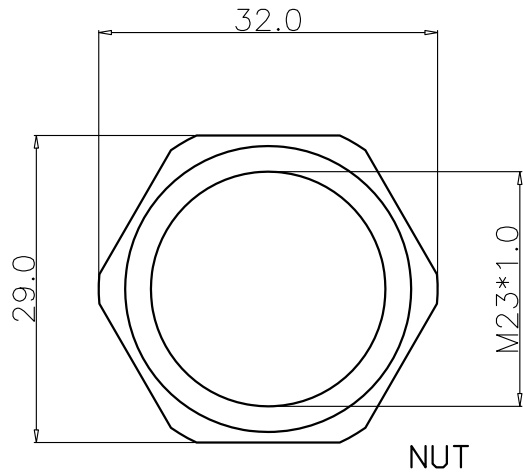
This document is the property of Nian-Yeong Corporation and is delivered on the express condition that it is not to be disclosed, reproduced or used, in whole or in part, for manufacture or sale by anyone other than Nian-Yeong Corporation without its prior consent, and that no right is granted to disclose or to use any information in this document.

# CUSTOMER DRAWING

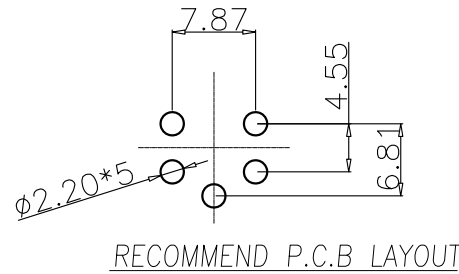
| REV. | DESCRIPTION | APPROVED BY | DATE      | ECN NO. |
|------|-------------|-------------|-----------|---------|
| A    | RELEASE     | Fido Weng   | 27/10/11' |         |
| B    |             |             |           |         |
| C    |             |             |           |         |



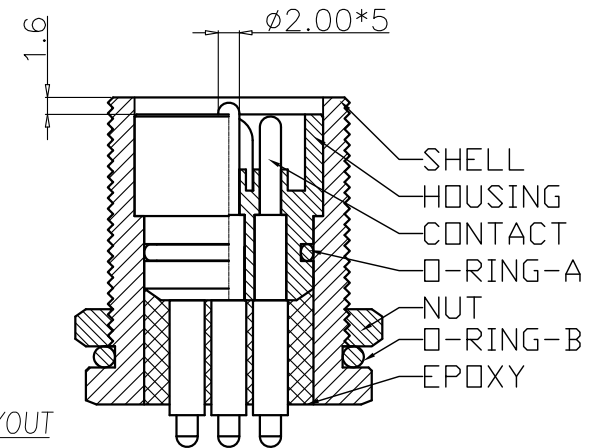
- MATERIAL :
  - 1-1. HOUSING : PBT UL94V-0 ; COLOR : YELLOW
  - 1-2. CONTACT : BRASS
  - 1-3. SHELL : BRASS
  - 1-4. NUT : BRASS
  - 1-5. O-RING-A : EPDM ; COLOR : BLACK
  - 1-6. O-RING-B : SILICONE ; COLOR : BROWN
- FINISH :
  - 2-1. CONTACT : 30 MICRO INCHES MIN. GOLD PLATED
  - 2-2. SHELL : NICKEL PLATED OVER ALL
  - 2-3. NUT : NICKEL PLATED OVER ALL
- ELECTRICAL SPECIFICATION :
  - 3-1. Rated current : 20A
  - 3-2. Rated voltage : 250V
  - 3-3. Water proof : IP67
- Environmental :
  - 4-1. Operation Temperature :  $-40^{\circ}\text{C} \sim 85^{\circ}\text{C}$



RECOMMEND PANEL CUT-OUT



RECOMMEND P.C.B LAYOUT



|       |            |       |            |       |     |           |  |  |       |                       |          |            |         |
|-------|------------|-------|------------|-------|-----|-----------|--|--|-------|-----------------------|----------|------------|---------|
| DRAWN | Ku Chou    | APP'D | Emily Suen | UNIT  | mm  | TOLERANCE |  |  | TITLE | 防水頭 M23 5PIN(M) 前鎖插片式 |          |            | SHEET   |
| CHK'D | Emily Suen |       |            | SCALE | 1:1 | ANGULA    |  |  | ±1°   | ENTERPRISE CO., LTD.  | PART NO. | WP-05M2-57 | DWG NO. |