

This document is the property of Nian-Yeong Corporation and is delivered on the express condition that it is not to be disclosed, reproduced or used, in whole or in part, for manufacture or sale by anyone other than Nian-Yeong Corporation without its prior consent, and that no right is granted to disclose or to use any information in this document.

CUSTOMER DRAWING

REV.	DESCRIPTION	APPROVED BY	DATE	ECN NO.
B	換雙油封材質&PIN針扣環	Fido Weng	01/12/11*	ECN-11047
C	新增料號	KU	11/01/19*	
D	新增料號	KU	28/07/20*	

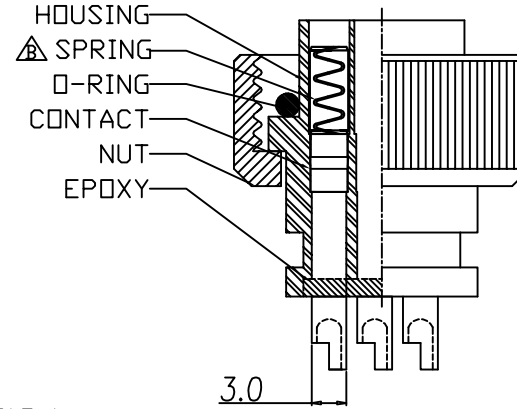
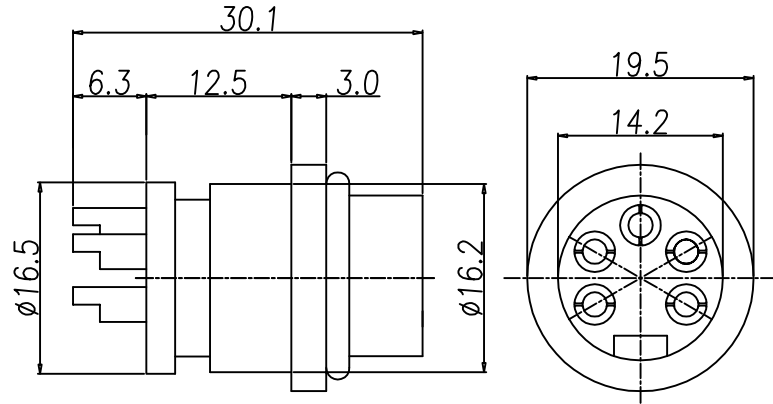


TABLE A

WP-05F2-39	30u" GOLD PLATED	WP-05F2-195-11	GOLD FLASH
WP-04F2-211-11	30u" GOLD PLATED	WP-04F2-262-11	GOLD FLASH
WP-03F2-109-11	30u" GOLD PLATED	WP-03F2-151-11	GOLD FLASH
P/N	CONTACT FINISH	P/N	CONTACT FINISH

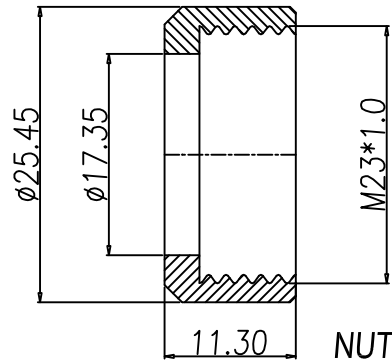
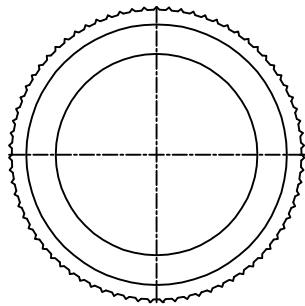


TABLE A

3PIN	4PIN	5PIN

- MATERIAL :
  - HOUSING : PBT UL94V-0 ; COLOR : YELLOW
  - CONTACT : BRASS
  - SPRING : PHOSPHOR BRONZE
  - NUT : BRASS
  - O-RING : EPDM ; COLOR : BLACK
- FINISH :
  - CONTACT : SEE TABLE A  
UNDER PLATE : NICKEL
  - SPRING : MATTE TIN PLATED
  - NUT : NICKEL PLATED
- ELECTRICAL SPECIFICATION :
  - Rated current : 20A
  - Rated Voltage : 250V
  - Water proof : IP67
- Environmental :
  - Operation Temperature : -40°C~85°C

DRAWN	APP'D	UNIT	TOLERANCE	TITLE	SHEET
Ku Chou	Emily Suen	mm	.x ±0.25 .xx ±0.20 .xxx ±0.10 .xxxx ±0.03 ANGULA ±1°	防水環M2.3 5PIN(F)杯口線端	1/1
CHK'D	Emily Suen	SCALE	1:1	年永實業有限公司	VERSION D
				PART NO.	
				SEE TABLE A	
				DWG NO.	
				QC3943	

