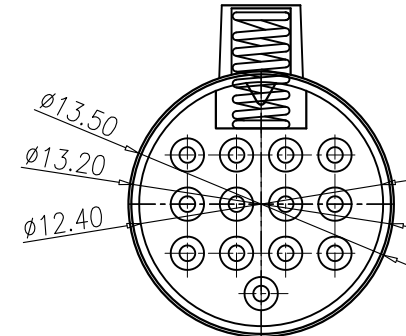
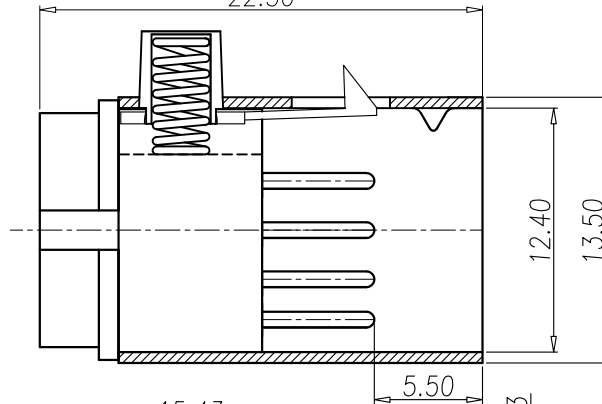
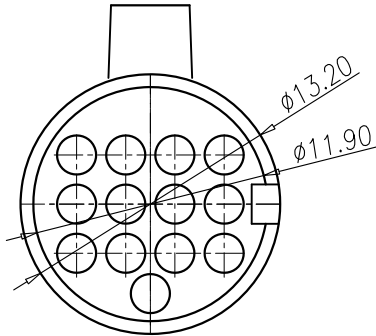
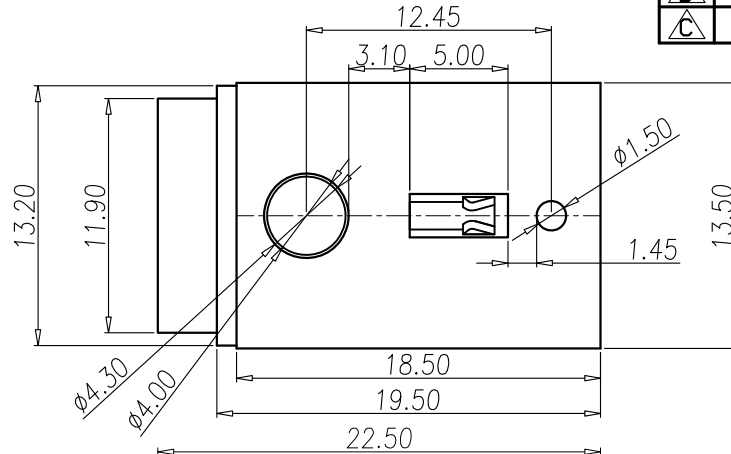


This document is the property of Nian-Yeong Corporation and is delivered on the express condition that it is not to be disclosed, reproduced or used, in whole or in part, for manufacture or sale by anyone other than Nian-Yeong Corporation without its prior consent, and that no right is granted to disclose or to use any information in this document.

CUSTOMER DRAWING

REV.	DESCRIPTION	APPVL. BY	DATE	ECN NO.
A	RELEASE	Fido Weng	22/12/08*	
B				
C				



- MATERIAL :
 - 1-1. HOUSING : PBT ; COLOR : BLACK.
 - 1-2. CONTACT : BRASS
 - 1-3. SHELL : BRASS.
 - 1-4. LATCH : STAINLESS STEEL 304
 - 1-5. PUSH BOTTON : STAINLESS STEEL 303
 - 1-6. SPRING : STAINLESS STEEL 304
- FINISH :
 - 2-1. CONTACT : GOLD 10 MICRO INCHES MIN.
 - 2-2. SHELL : NICKEL PLATED
 - 2-3. PUSH BOTTON : NICKEL PLATED
- ELECTRICAL SPECIFICATION :
 - 3-1. Rated current : 3A
 - 3-2. Rated voltage : 60V
- Environmental :
 - 4-1. Operation Temperature : -20°C~85°C

DRAW	Ku Chou	APPVL	Fido Weng	UNIT	mm	TOLERANCE	NIAN YEONG ENTERPRISE 年永實業有限公司	TITLE	DIN 13(M) Lock			SHEET	A
CHECK	Emily Suen			SCALE	1:1	.x ±0.20 .xx ±0.10 .xxx ±0.05 .xxxx ±0.03 ANGULA ±1°		PART NO.	DI-13M2-04	DWG NO.	QC1908	VERSION	