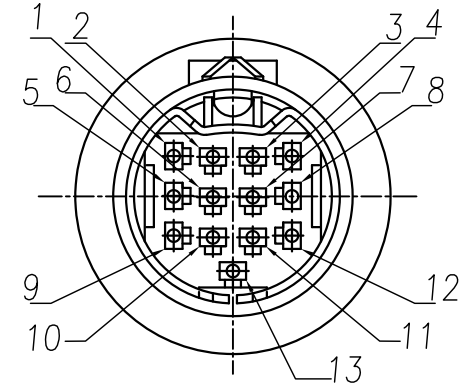
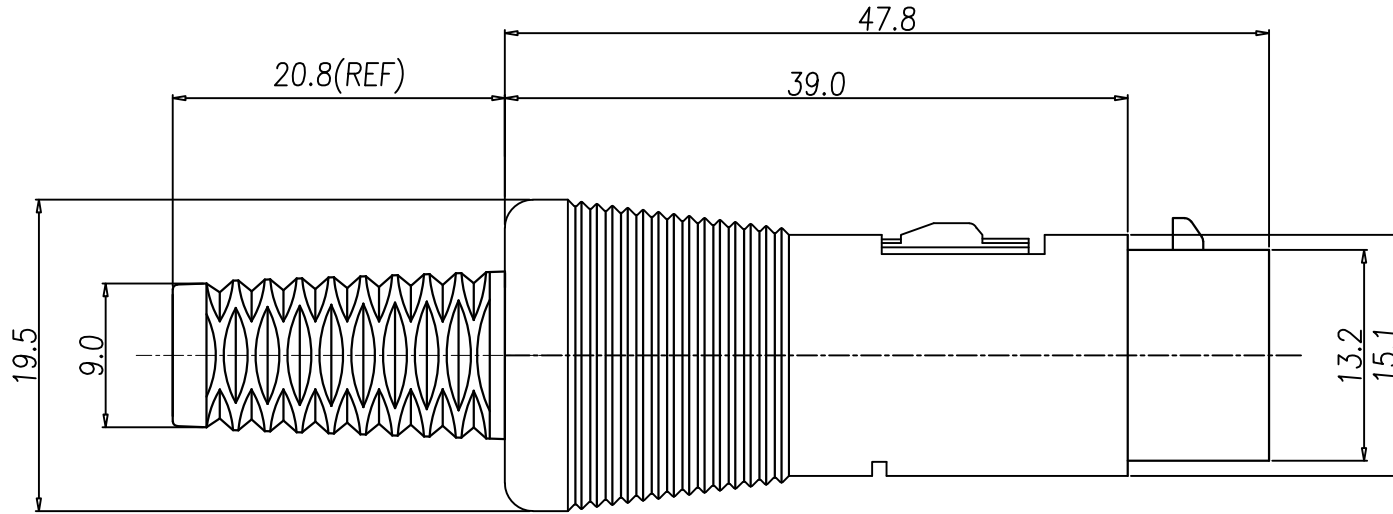


This document is the property of Nian-Yeong Corporation and is delivered on the express condition that it is not to be disclosed, reproduced or used, in whole or in part, for manufacture or sale by anyone other than Nian-Yeong Corporation without its prior consent, and that no right is granted to disclose or to use any information in this document.

CUSTOMER DRAWING

REV.	DESCRIPTION	APPROVED BY	DATE	ECN NO.
A	RELEASE	Fido Weng	06/08/09*	
B				
C				



1. MATERIAL :

- 1-1. HOUSING : PBT ; COLOR : BLACK.
- 1-2. CONTACT : PHOSPHOR BRONZE.
- 1-3. SHELL : BRASS.
- 1-4. SR : PVC ; COLOR : BLACK.
- 1-5. COAT : PBT ; COLOR : BLACK.
- 1-6. CLASP : BRASS
- 1-7. LINE BUCKLE : BRASS

2. FINISH :

- 2-1. CONTACT : GOLD FLISH MICRO INCHES MIN.
- 2-2. SHELL : NICKEL PLATED
- 2-3. CLASP : NICKEL PLATED
- 2-4. SHELL : NICKEL PLATED

3. ELECTRICAL SPECIFICATION :

- 3-1. Rated current : 3A
- 3-2. Rated voltage : 60V

4. Environmental :

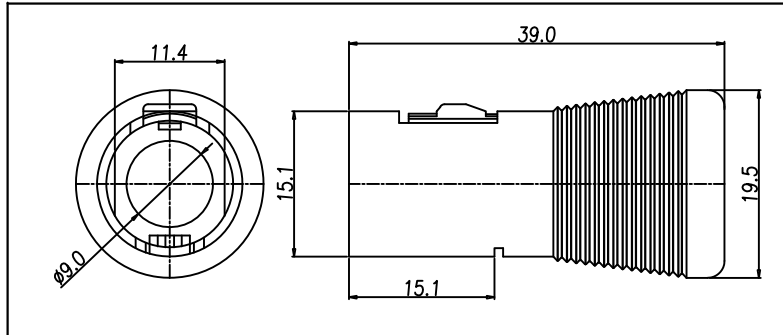
- 4-1. Operation Temperature : -20 °C~85°C

DRAWN	Mark Kao	APP'D	Ku Chou	UNIT	mm	TOLERANCE		TITLE	DIN PLUG 13P 成品			SHEET	1/2
CHK'D	Ku Chou			SCALE	1:1	.x ±0.20 .xx ±0.10 .xxx ±0.05 .xxxx ±0.03 ANGULA ±1°		PART NO.	DI-13M2-01	DWG NO.	QC0113	VERSION	A

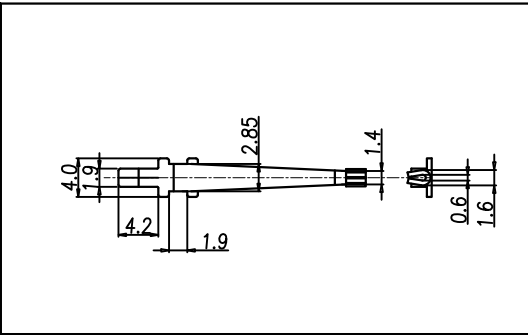
This document is the property of Nian-Yeong Corporation and is delivered on the express condition that it is not to be disclosed, reproduced or used, in whole or in part, for manufacture or sale by anyone other than Nian-Yeong Corporation without its prior consent, and that no right is granted to disclose or to use any information in this document.

CUSTOMER COMPONENTS DRAWING

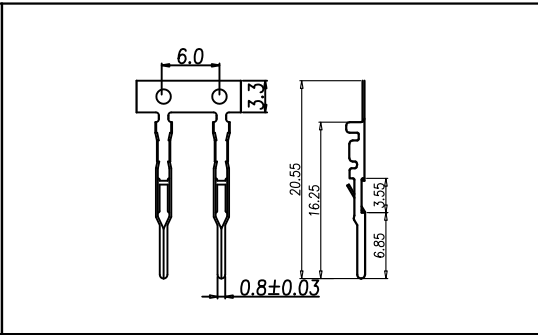
REV.	DESCRIPTION	APPROVED BY	DATE	ECN NO.
A	RELEASE	Fido Weng	06/08/09*	
B				
C				



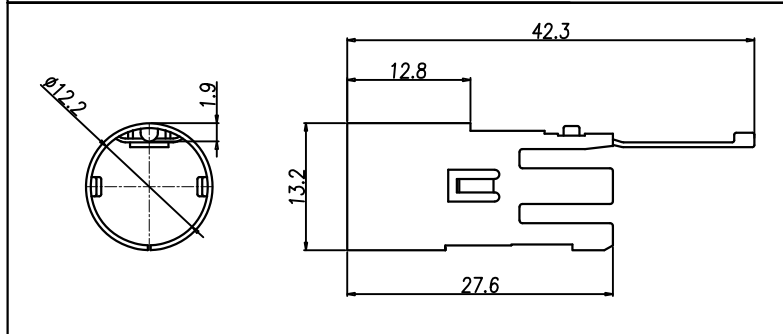
□N-DM0022<COAT>



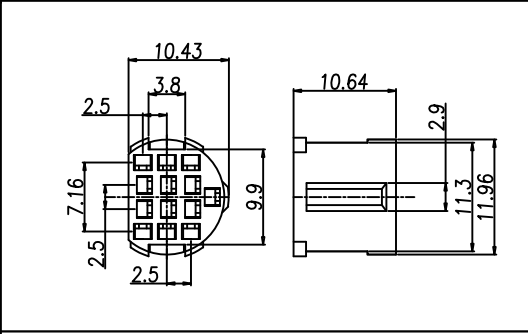
□Y-DM0037<CLASP>



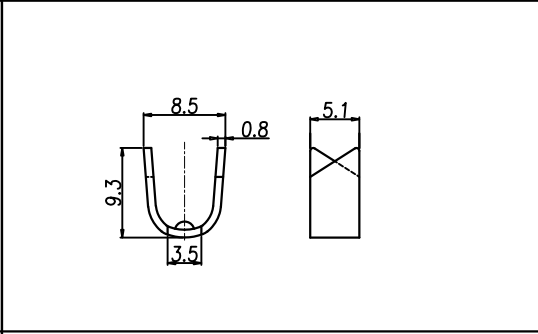
□Y-DM0240<CONTACT>



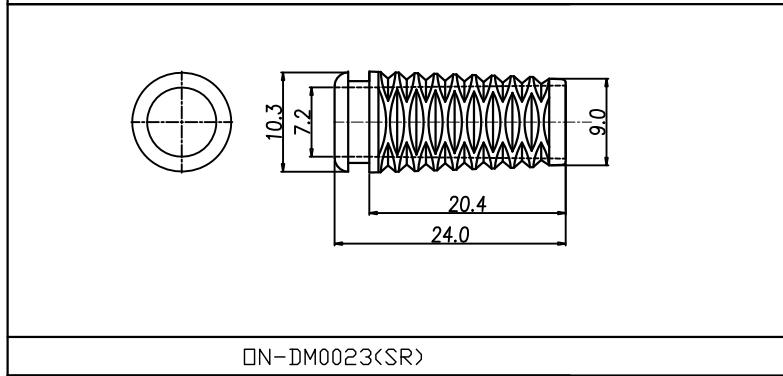
□Y-DM0035<SHELL>



□N-DM0024<HOUSING>



□Y-DM0006<LINE BUCKLE>



□N-DM0023<SR>

1. MATERIAL :
 - 1-1. HOUSING : PBT ; COLOR : BLACK.
 - 1-2. CONTACT : PHOSPHOR BRONZE.
 - 1-3. SHELL : BRASS.
 - 1-4. SR : PVC ; COLOR : BLACK.
 - 1-5. COAT : PBT ; COLOR : BLACK.
 - 1-6. CLASP : BRASS
 - 1-7. LINE BUCKLE : BRASS
2. FINISH :
 - 2-1. CONTACT : GOLD FLISH MICRO INCHES MIN.
 - 2-2. SHELL : NICKEL PLATED
 - 2-3. CLASP : NICKEL PLATED
 - 2-4. SHELL : NICKEL PLATED

DRAWN	Mark Kao	APP'D	Ku Chou	UNIT	mm	TOLERANCE	TITLE		SHEET
CHK'D	Ku Chou			SCALE	1:1	.x ±0.20 .xx ±0.10 .xxx ±0.05 .xxxx ±0.03 ANGULA ±1°	DIN PLUG 13P 成品		2/2
							PART NO.	DI-13M2-01	VERSION
							DWG NO.	QC0113	A



NIAN YEONG

ENTERPRISE CO., LTD.