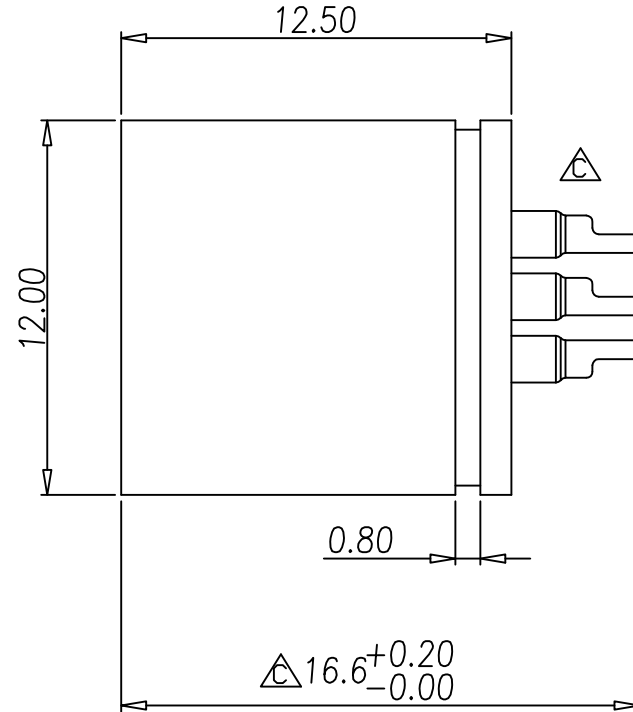
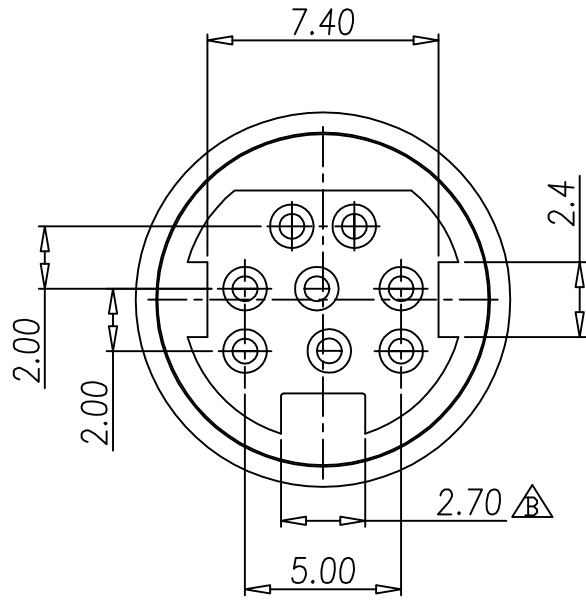


This document is the property of Nian-Yeong Corporation and is delivered on the express condition that it is not to be disclosed, reproduced or used, in whole or in part, for manufacture or sale by anyone other than Nian-Yeong Corporation without its prior consent, and that no right is granted to disclose or to use any information in this document.

CUSTOMER DRAWING

REV.	DESCRIPTION	APPROVED BY	DATE	ECN NO.
A	RELEASE	Fido Weng	20/04/09*	
B	CHANGE DIM.	Fido Weng	15/05/09*	ECN09118
C	CHANGE P/N及插脚	Fido Weng	17/03/14*	



1. MATERIAL :
  - 1-1. HOUSING : PBT UL94V-0 ; COLOR : BLACK
  - 1-2. CONTACT : PHOSPHOR BRONZE
  - 1-3. SHELL : BRASS
2. FINISH :
  - 2-1. CONTACT
    - CONTACT AREA : GOLD FLASH PLATED
    - SOLDER AREA : MATTE-TIN PLATED
    - UNDER PLATE : NICKEL
  - 2-2. SHELL : NICKEL PLATED OVER ALL
3. ELECTRICAL SPECIFICATION :
  - 3-1. Rated current : 1A
  - 3-2. Rated voltage : 60V
4. Environmental :
  - 4-1. Operation Temperature : -40℃~85℃

DRAWN	Emily Suen	APP'D	Ku Chou	UNIT	mm	TOLERANCE			TITLE	POWER DIN 8PIN(F) PLUG			SHEET	
CHK'D	Emily Suen			SCALE	1:1	ANGULA			±1°	PART NO.	PD-08F2-01	DWG NO.	QC2056	

**NIAN YEONG ENTERPRISE**  
年永實業有限公司