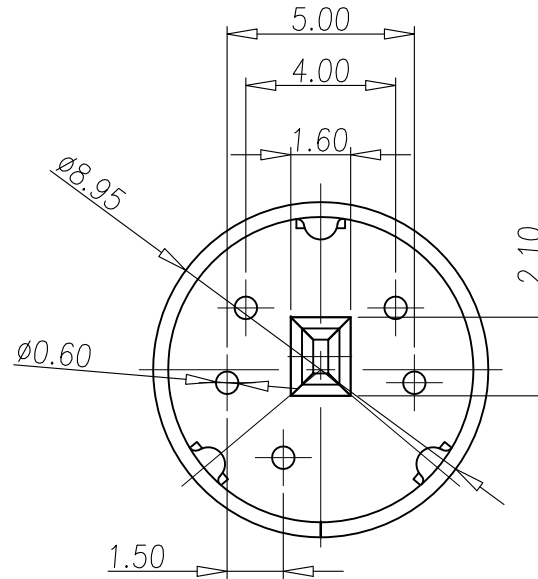
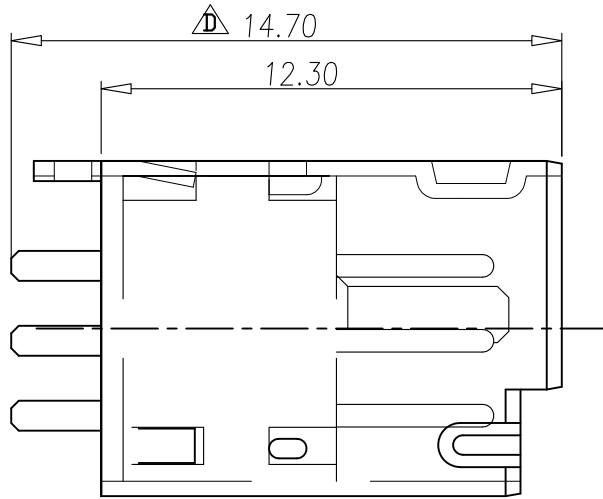


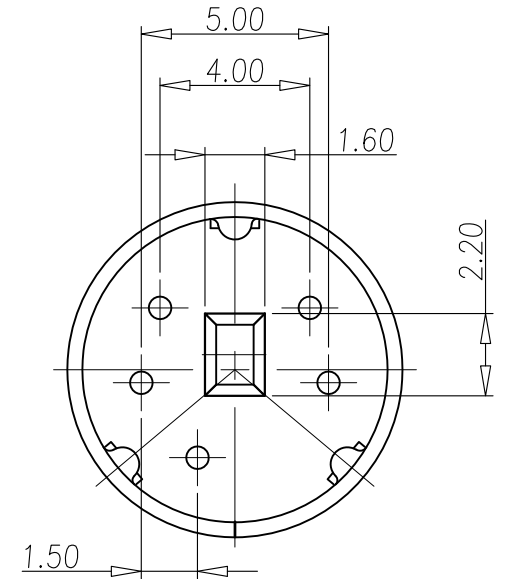
This document is the property of Nian-Yeong Corporation and is delivered on the express condition that it is not to be disclosed, reproduced or used, in whole or in part, for manufacture or sale by anyone other than Nian-Yeong Corporation without its prior consent, and that no right is granted to disclose or to use any information in this document.

CUSTOMER DRAWING

REV.	DESCRIPTION	APPROVED BY	DATE	ECN NO.
A	RELEASE		15/05/09*	
B	ADD TABLE A & CHANGE DIM		17/06/09*	
C	ADD NEW PART NO. IN TABLE A		20/04/10*	
D	CHANGE DIM		03/08/10*	



MD-05M1-09



MD-05M1-01

MD-05M1-08

MD-05M1-11

NOTE :

1. MATERIAL :

1-1. HOUSING : SEE TABLE A ; COLOR : BLACK

1-2. CONTACT : BRASS

1-3. SHELL : BRASS T=0.4

2. FINISH :

2-1. CONTACT : SEE TABLE A

2-2. SHELL : NICKEL PLATED OVER ALL

TABLE A

MD-05M1-11	MD 5P成品無倒角	1.6*1.0	PBT UL94V-0	銀/SILVER
MD-05M1-09	MD 5P成品有倒角	1.5*1.0	NYLON66 UL94V-0	亮錫/BRIGHT TIN
MD-05M1-08	MD 5P成品無倒角	1.6*1.0	PBT UL94V-0	表金/GOLD FLASH
MD-05M1-01	MD 5P成品無倒角	1.6*1.0	PBT UL94V-0	亮錫/BRIGHT TIN
P/N	DESCRIPTION	柱子	MATERIAL	FINISH

DRAWN	LILY QIN	APP'D	Fido Weng	UNIT	mm	TOLERANCE	NIAN YEONG ENTERPRISE			TITLE	SEE TABLE A			SHEET
CHK'D	Emily Suen			SCALE	1:1	.x ±0.20 .xx ±0.10 .xxx ±0.05 .xxxx ±0.03 ANGULA ±1°	年永實業有限公司			PART NO.	SEE TABLE A	DWG NO.	QC1187	VERSION D