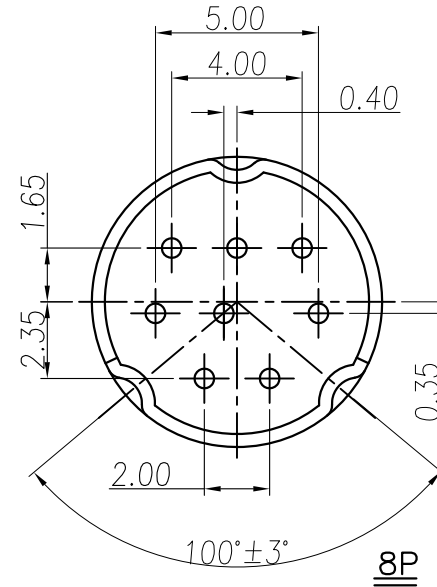
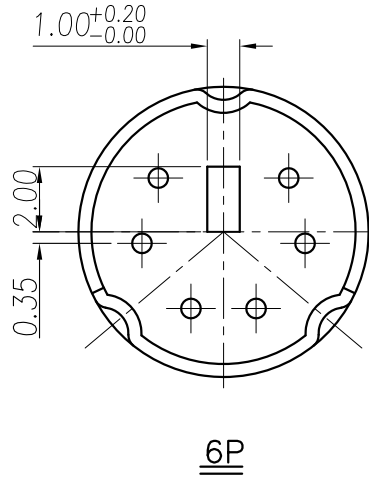
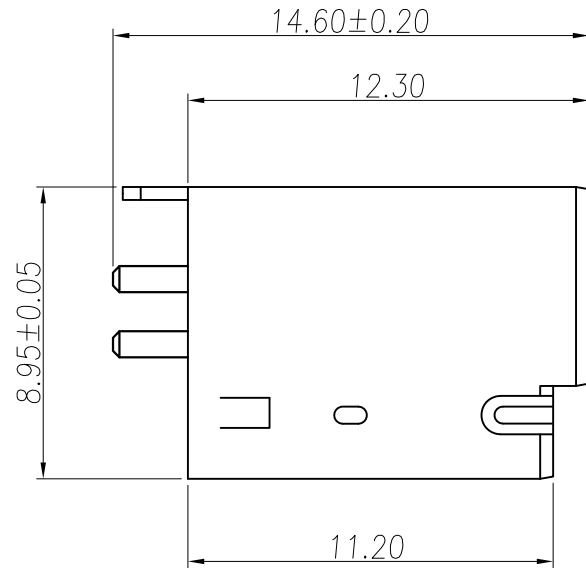


This document is the property of Nian-Yeong Corporation and is delivered on the express condition that it is not to be disclosed, reproduced or used, in whole or in part, for manufacture or sale by anyone other than Nian-Yeong Corporation without its prior consent, and that no right is granted to disclose or to use any information in this document.

CUSTOMER DRAWING

REV.	DESCRIPTION	APPROVED BY	DATE	ECN NO.
B	MODIFY DRAWING & DELETE PART NO.	Fido Weng	19/11/10'	ECN10132
C	ADD P/N	Emily Suen	24/06/11'	ECN11036
D	ADD P/N	Emily Suen	20/07/11'	ECN11039



NOTE:

- MATERIAL :
  - HOUSING : PBT UL94V-0 ; COLOR : BLACK
  - CONTACT : BRASS
  - SHELL : BRASS
- FINISH :
  - CONTACT : SEE TABLE A
  - SHELL : SEE TABLE A
- ELECTRICAL SPECIFICATION :
  - Rated current : 2A
  - Rated voltage : 12V

TABLE A

	MD-08M1-16	MD 8PIN (金15u")H	金 15u"/GOLD 15u"	鍍 30u"/NICKEL 30u"
	MD-08M1-14	MD 8PIN (金30u")H	金 30u"/GOLD 30u"	鍍 30u"/NICKEL 30u"
	MD-08M1-13	MD 8PIN (錫)H	錫 / TIN	鍍 30u"/NICKEL 30u"
	MD-06M1-11	MD 6PIN (金30u")H	金 30u"/ GOLD 30u"	鍍 30u"/NICKEL 30u"
	MD-08M1-12	MD 8PIN (表金)H	表金 / GOLD FLASH	鍍 30u"/NICKEL 30u"
	MD-08M1-05	MD 8PIN (銀)H	銀 / SILVER	鍍 30u"/NICKEL 30u"
	MD-06M1-13	MD 6PIN (錫)H	錫 / TIN	鍍 30u"/NICKEL 30u"
	MD-06M1-03	MD 6PIN (表金)H	表金 / GOLD FLASH	鍍 30u"/NICKEL 30u"
	MD-06M1-10	MD 6PIN (銀)H	銀 / SILVER	鍍 30u"/NICKEL 30u"
	P/N	DESCRIPTION	針 : 電鍍	銅管 : 電鍍

DRAWN	Ku Chou	APP'D	Emily Suen	UNIT	mm	TOLERANCE		TITLE	MD 8PIN (4,6,8)PIN 12.6mm (H)系列			SHEET
CHK'D	Emily Suen	SCALE	1:1	ANGULA	±1°	.x ±0.20 .xx ±0.10 .xxx ±0.05 .xxxx ±0.03		PART NO.	SEE TABLE A	DWG NO.	QC0005	VERSION

NIAN YEONG ENTERPRISE  
年永實業有限公司