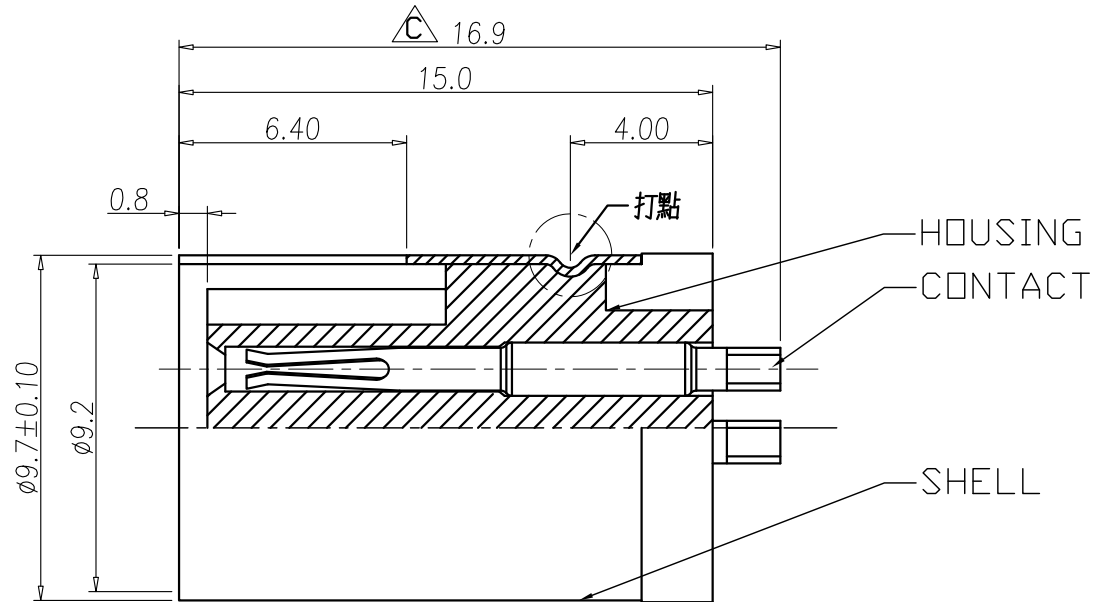
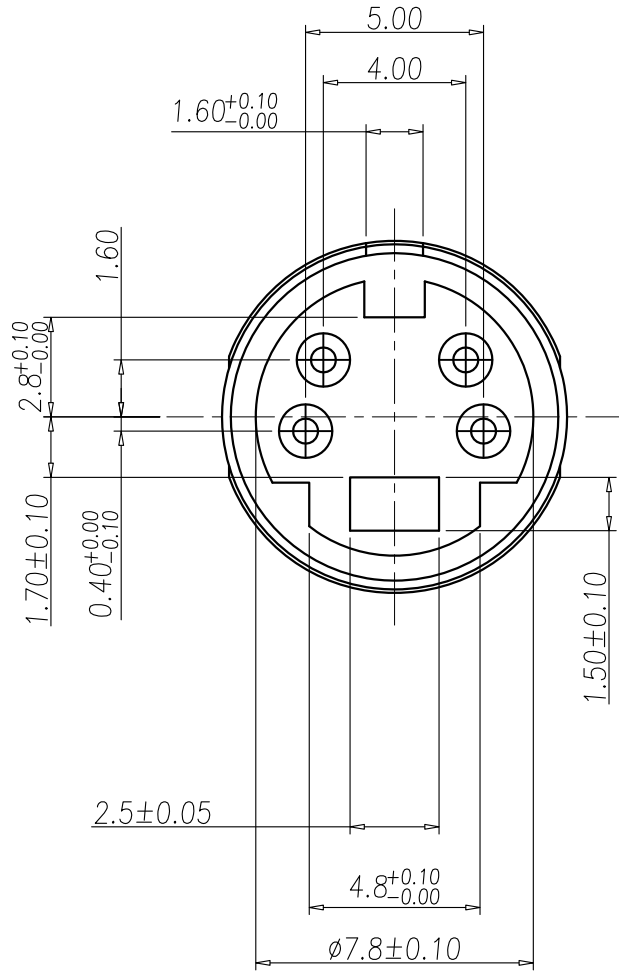


This document is the property of Nian-Yeong Corporation and is delivered on the express condition that it is not to be disclosed, reproduced or used, in whole or in part, for manufacture or sale by anyone other than Nian-Yeong Corporation without its prior consent, and that no right is granted to disclose or to use any information in this document.

CUSTOMER DRAWING

REV.	DESCRIPTION	APPROVED BY	DATE	ECN NO.
A	Release	Fido Weng	16/08/10*	
B	MODIFY CONTACT TYPE	Fido Weng	10/12/10*	ECN10142
C	修改外觀總長	Fido Weng	21/06/13*	



NOTE

- MATERIAL :
  - HOUSING : PBT UL94V-0 ; COLOR : BLACK
  - CONTACT : PHOSPHOR BRONZE
  - SHELL : BRASS
- FINISH :
  - CONTACT : GOLD FLASH PLATED
  - SHELL : NICKEL PLATED.
- ELECTRICAL SPECIFICATION :
  - Rated current : 2A
  - Rated voltage : 12V
- Environmental :
  - Operation Temperature : -20°C~85°C

DRAWN	Ku Chou	APP'D	Fido Weng	UNIT	mm	TOLERANCE		TITLE	MiniDin 4(F)無彈片			SHEET
CHK'D	Emily Suen	SCALE	1:1			.x ±0.20 .xx ±0.10 .xxx ±0.05 .xxxx ±0.03 ANGULA ±1°		PART NO.	MD-04F1-17	DWG NO.	QC4936	VERSION

NIAN YEONG ENTERPRISE  
年永實業有限公司