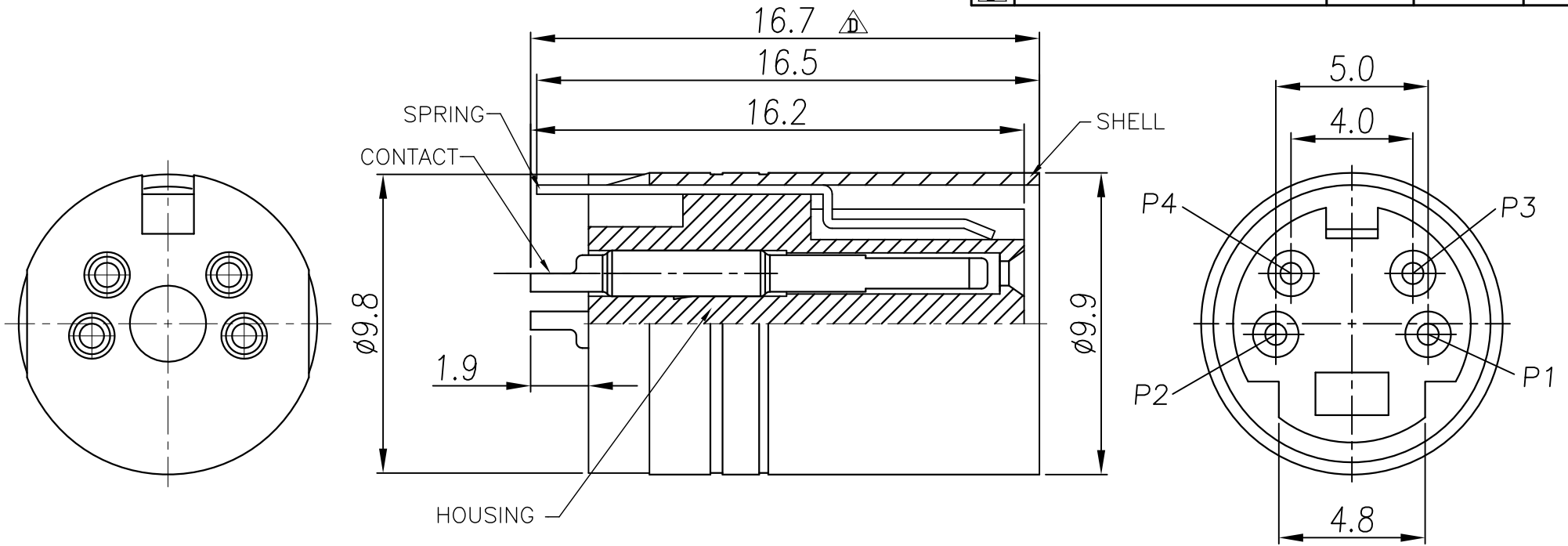


This document is the property of Nian-Yeong Corporation and is delivered on the express condition that it is not to be disclosed, reproduced or used, in whole or in part, for manufacture or sale by anyone other than Nian-Yeong Corporation without its prior consent, and that no right is granted to disclose or to use any information in this document.

### CUSTOMER DRAWING

REV.	DESCRIPTION	APPROVED BY	DATE	ECN NO.
A	RELEASE	Fido Weng	22/12/08*	
B	CHANGE CONTACT TYPE	Emily Suen	17/09/12*	ECN12025.
C	修改外觀	Emily Suen	04/10/12*	ECN12027
D	修改外觀總長	Fido Weng	21/06/13*	



- MATERIAL :
  - HOUSING : PBT UL94V-0 ; COLOR : BLACK
  - CONTACT : PHOSPHOR BRONZE
  - SHELL : BRASS
  - SPRING : PHOSPHOR BRONZE
- FINISH :
  - CONTACT : SEE TABLE A  
UNDER PLATE : NICKEL
  - SHELL : SEE TABLE A
  - SPRING : SILVER PLATED

TABLE A

MD-04F1-13	GOLD FLASH	NO	NICKEL
MD-04F1-12	GOLD FLASH	NO	GOLD FLASH
MD-04F1-08	SILVER	NO	NICKEL
MD-04F1-07	GOLD FLASH	YES	NICKEL
MD-04F1-04	SILVER	YES	NICKEL
PART NO.	CONTACT PLATED	WITH SPRING	SHELL

DRAWN	APP'D	UNIT	mm	TOLERANCE	ANGULAR	TITLE	SHEET			
Ku Chou	Emily Suen	mm	1:1	.x ±0.20 .xx ±0.10 .xxx ±0.05 .xxxx ±0.03	±1°	MINI DIN 4PIN (F)	1			
CHK'D	Emily Suen	SCALE	1:1			PART NO.	SEE TABLE A	DWG NO.	QC0008	VERSION D

**NIAN YEONG ENTERPRISE**  
年永實業有限公司