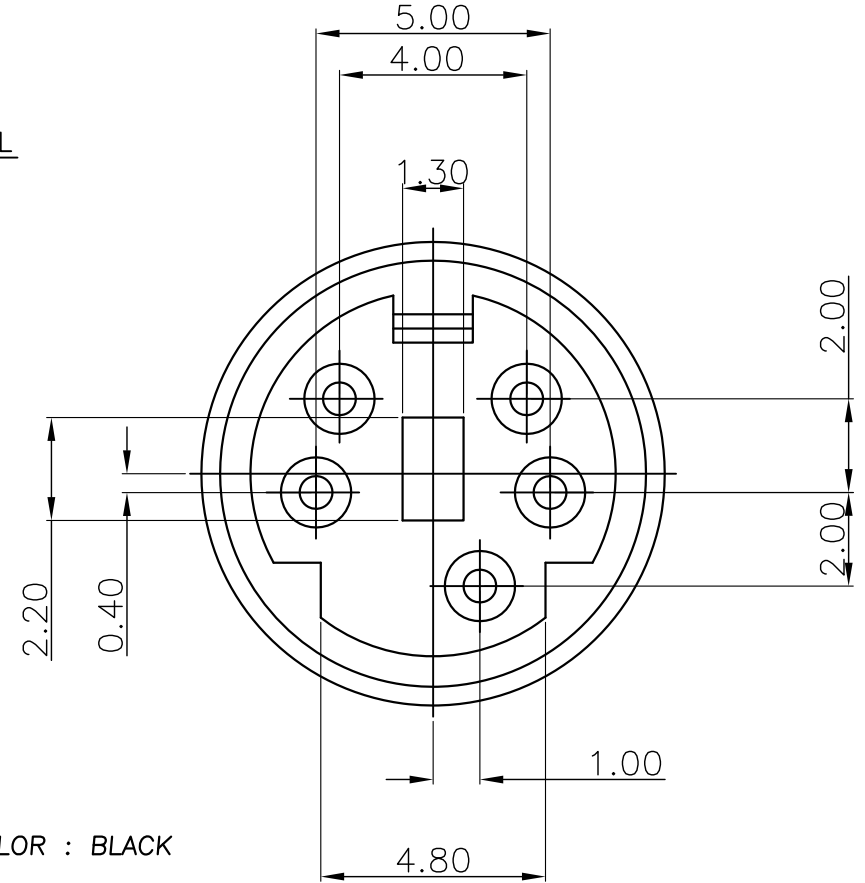
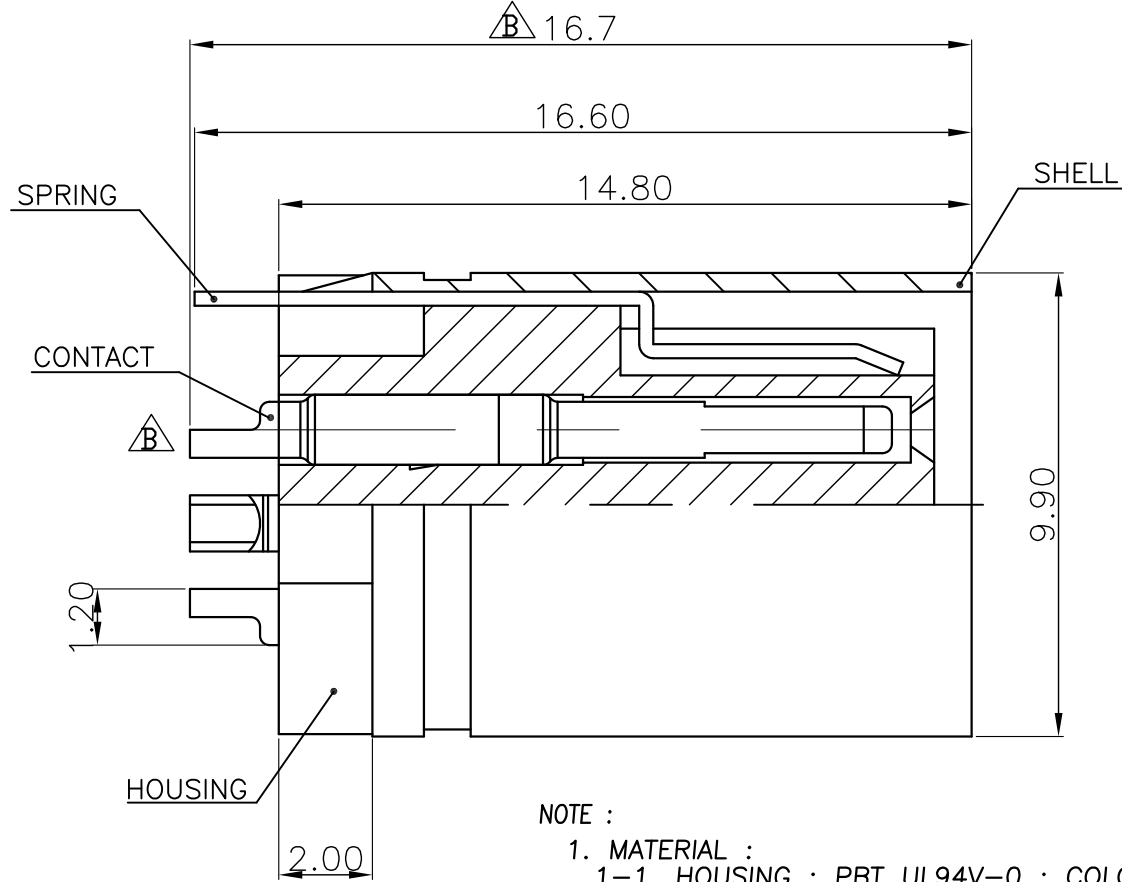


This document is the property of Nian-Yeong Corporation and is delivered on the express condition that it is not to be disclosed, reproduced or used, in whole or in part, for manufacture or sale by anyone other than Nian-Yeong Corporation without its prior consent, and that no right is granted to disclose or to use any information in this document.

CUSTOMER DRAWING

REV.	DESCRIPTION	APPROVED BY	DATE	ECN NO.
A				
B	修改外觀總長&端子改杯口	Fido Weng	09/09/13	
C				



NOTE :

1. MATERIAL :
 - 1-1. HOUSING : PBT UL94V-0 ; COLOR : BLACK
 - 1-2. CONTACT : PHOSPHOR BRONZE
 - 1-3. SHELL : BRASS
 - 1-4. SPRING : PHOSPHOR BRONZE
2. FINISH :
 - 2-1. CONTACT : SEE TABLE A
 - 2-2. SHELL : NICKEL PLATED
 - 2-3. SPRING : SILVER PLATED
3. ELECTRICAL SPECIFICATION :
 - 3-1. Rated current : 2A
 - 3-2. Rated voltage : 12V

TABLE A

P/N	DESCRIPTION	FINISH	SPRING
MD-05F1-05	MD 5S(銀)成品 無彈片	SILVER PLATED	NO
MD-05F1-04	MD 5S(表金)成品	GOLD FLASH PLATED	YES
MD-05F1-03	MD 5S(銀)成品	SILVER PLATED	YES

DRAWN	LILY QIN	APP'D	Ku Chou	UNIT	mm	TOLERANCE		TITLE	SEE TABLE A			SHEET
CHK'D	Emily Suen			SCALE	1:1	.x ±0.20 .xx ±0.10 .xxx ±0.05 .xxxx ±0.03 ANGULA ±1°		PART NO.	SEE TABLE A	DWG NO.	QC0009	VERSION B

NIAN YEONG ENTERPRISE
年永實業有限公司