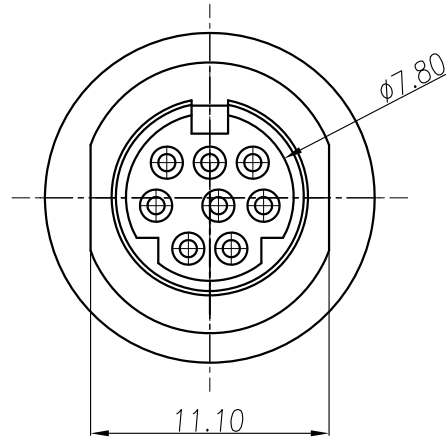
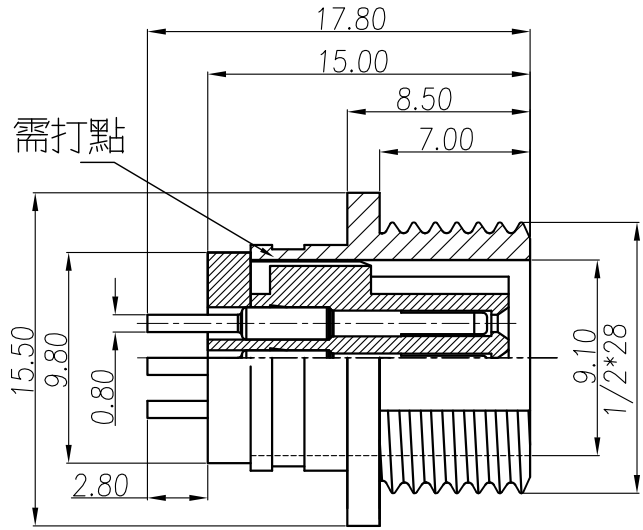


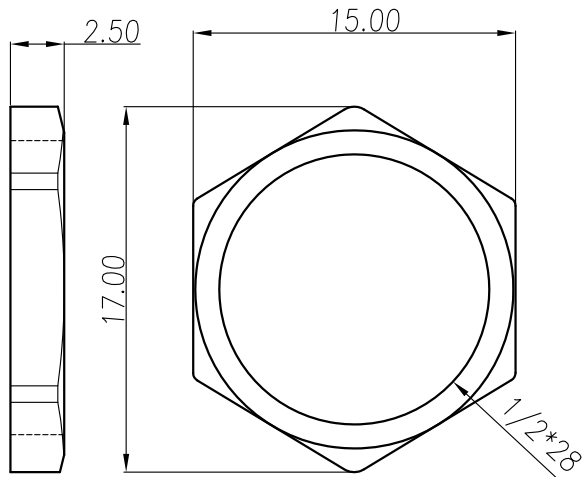
This document is the property of Nian-Yeong Corporation and is delivered on the express condition that it is not to be disclosed, reproduced or used, in whole or in part, for manufacture or sale by anyone other than Nian-Yeong Corporation without its prior consent, and that no right is granted to disclose or to use any information in this document.

CUSTOMER DRAWING

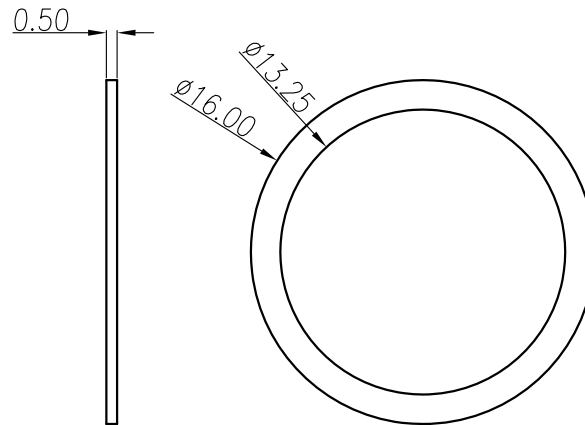
REV.	DESCRIPTION	APPROVED BY	DATE	ECN NO.
A	RELEASE	Fido Weng	13/12/13'	
B				
C				



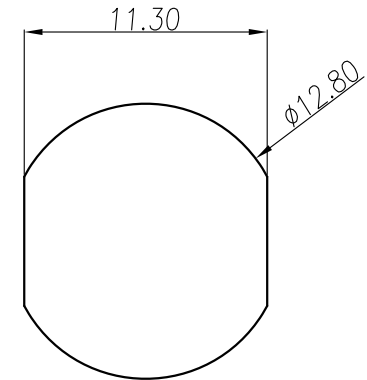
- MATERIAL :
  - 1-1. HOUSING : PBT+30%GF UL94V-0 ; COLOR : BLACK
  - 1-2. CONTACT : PHOSPHOR BRONZE
  - 1-3. NUT : BRASS
  - 1-4. SPACER : STAINLESS STEEL.
  - 1-5. SHELL : BRASS.
- FINISH :
  - 2-1. CONTACT : GOLD FLASH PLATED.
  - 2-2. NUT : NICKEL PLATED
  - 2-3. SPACER : NICKEL PLATED
  - 2-4. SHELL : NICKEL PLATED
- ELECTRICAL SPECIFICATION :
  - 3-1. Rated current : 2A
  - 3-2. Rated voltage : 12V
- Environmental :
  - 4-1. Operation Temperature : -20℃~85℃



NUT



SPACER



RECOMMEND PANEL CUT-OUT

DRAWN	Ting	APP'D	Emily Suen	UNIT	mm	TOLERANCE	 <b>NIAN YEONG ENTERPRISE</b> 年永實業有限公司	TITLE	MiniDin 8(F) 板插十六角螺母			SHEET	 VERSION A
CHK'D	Emily Suen			SCALE	1:1	.x ±0.10 .xx ±0.05 .xxx ±0.03 .xxxx ±0.01 ANGULA ±1°		PART NO.	MD-08F1-17-11	DWG NO.	QC6449		