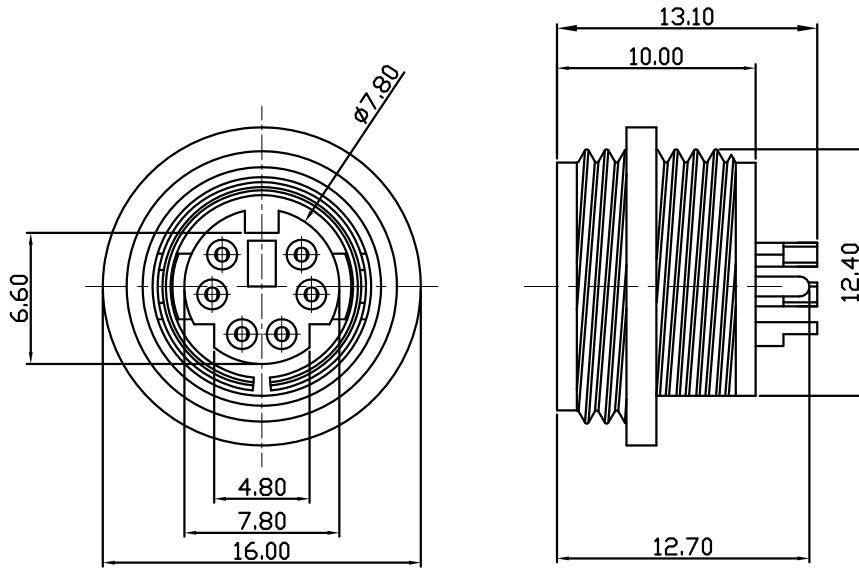


This document is the property of Nian-Yeong Corporation and is delivered on the express condition that it is not to be disclosed, reproduced or used, in whole or in part, for manufacture or sale by anyone other than Nian-Yeong Corporation without its prior consent, and that no right is granted to disclose or to use any information in this document.

CUSTOMER DRAWING

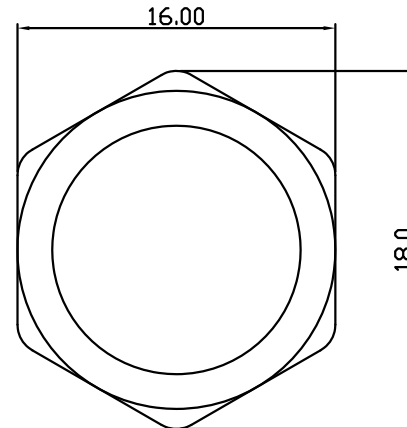
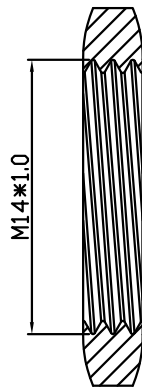
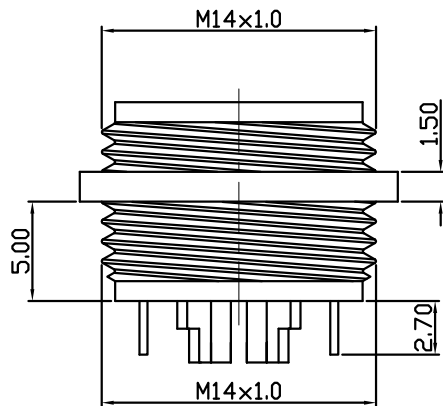
REV.	DESCRIPTION	APPROVED BY	DATE	ECN NO.
A	RELEASE	Fido Weng	22/12/08*	
B				
C				



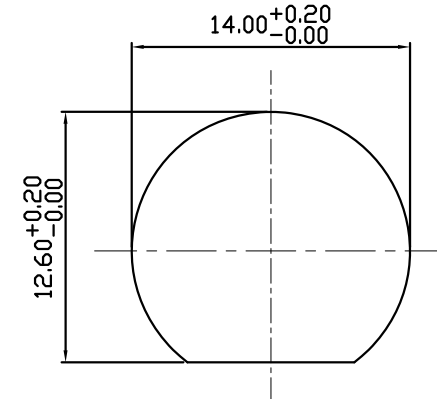
- MATERIAL :
 - HOUSING : PBT UL94V-0 ; COLOR : BLACK
 - CONTACT : PHOSPHOR BRONZE
 - SHELL : BRASS
 - NUT : PBT
- FINISH :
 - CONTACT : SILVER 30u" ON OVER ALL
UNDER PLATE : NICKEL
 - SHELL : NICKEL PLATED 60u" ~ 100u" OVER ALL

TABLE A

MD-04F2-14-11	MD-06F3-09	MD-08F2-02-11



NUT



PANEL CUT-OUT

DRAWN	Yeh Chou	APP'D	Ku Chou	UNIT	mm	TOLERANCE	 NIAN YEONG ENTERPRISE 年永實業有限公司	TITLE	MiniDin 6(F) SOCKET SCREW TYPE			SHEET	 A
CHK'D	Emily Suen			SCALE	1:1	.x ±0.20 .xx ±0.10 .xxx ±0.05 .xxxx ±0.03 ANGULA ±1°		PART NO.	SEE TABLE A	DWG NO.	QC5497	VERSION	