

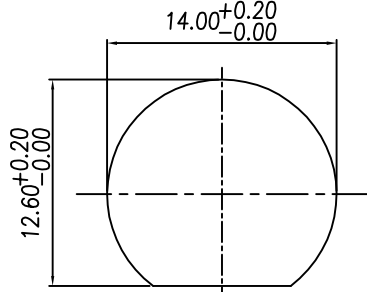
This document is the property of Nian-Yeong Corporation and is delivered on the express condition that it is not to be disclosed, reproduced or used, in whole or in part, for manufacture or sale by anyone other than Nian-Yeong Corporation without its prior consent, and that no right is granted to disclose or to use any information in this document.

CUSTOMER DRAWING

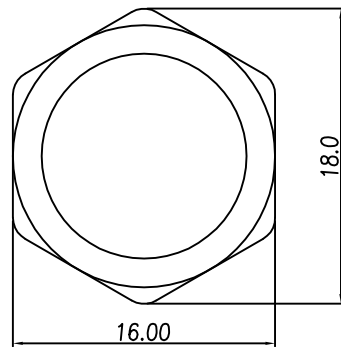
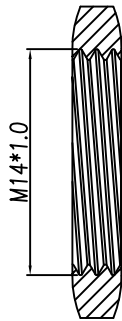
REV.	DESCRIPTION	APPROVED BY	DATE	ECN NO.
A	RELEASE	Fido Weng	22/12/08*	
B	改回正確電線規格 & 新增料號	KU	29/03/19*	
C				

TABLE A

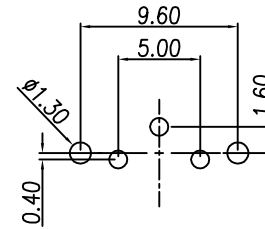
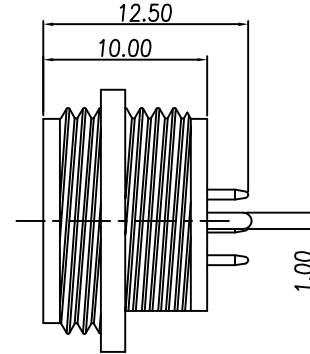
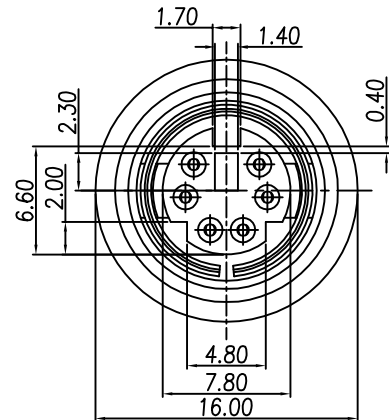
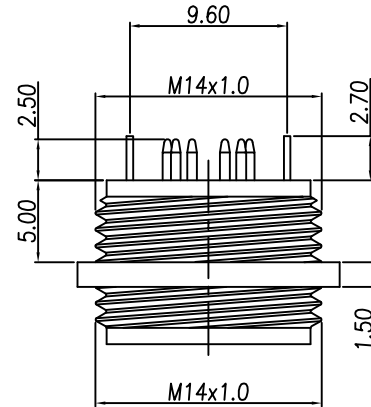
MD-03F3-07-01	MD-04F2-15-11	MD-05F2-03-11
MD-06F2-10-11	MD-07F3-08-01	MD-08F2-03-11



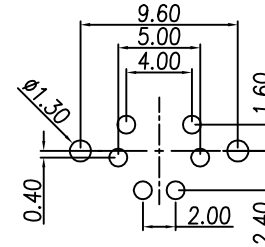
PANEL CUT-OUT



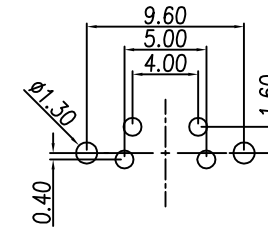
NUT



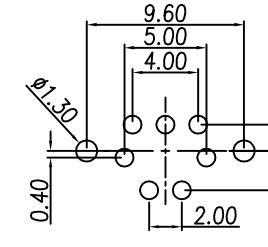
P.C.B LAYOUT



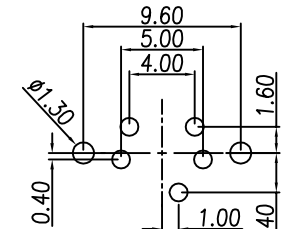
P.C.B LAYOUT



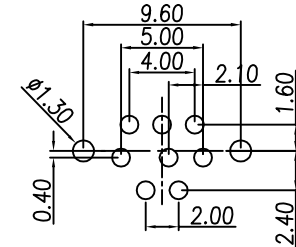
P.C.B LAYOUT



P.C.B LAYOUT



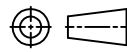
P.C.B LAYOUT



P.C.B LAYOUT

- MATERIAL :
  - Housing : PBT UL94V-0 ; Color : Black
  - Contact : Phosphor Bronze
  - Shell : Brass
- FINISH :
  - Contact : Bright Tin Plated
  - Shell : Nickel Plated
- ELECTRICAL SPECIFICATION :
  - Rated current : 2A
  - Rated voltage : 12v DC
  - Insulation Resistance : 50M $\Omega$  min. at 250V DC
  - Dielectric Strength : 250V AC / 1 minute
  - Contact Resistance : 30m $\Omega$  max.
  - Insertion force : 45N max.
  - Withdrawal force : 9N to 30N
  - Durability Test : 1000 Cycles
- Environmental :
  - Operation Temperature : -20 $^{\circ}$ C~85 $^{\circ}$ C

DRAWN	Yeh Chou	APP'D	Ku Chou	UNIT	mm	TOLERANCE
CHK'D	Emily Suen			SCALE	1:1	.x $\pm 0.20$ .xx $\pm 0.10$ .xxx $\pm 0.05$ .xxxx $\pm 0.03$ ANGULA $\pm 1^{\circ}$



NIAN YEONG ENTERPRISE  
年永實業有限公司

TITLE	MiniDin (F) SOCKET SCREW DIP TYPE			SHEET	1
PART NO.	SEE TABLE A	DWG NO.	QC7056	VERSION	B