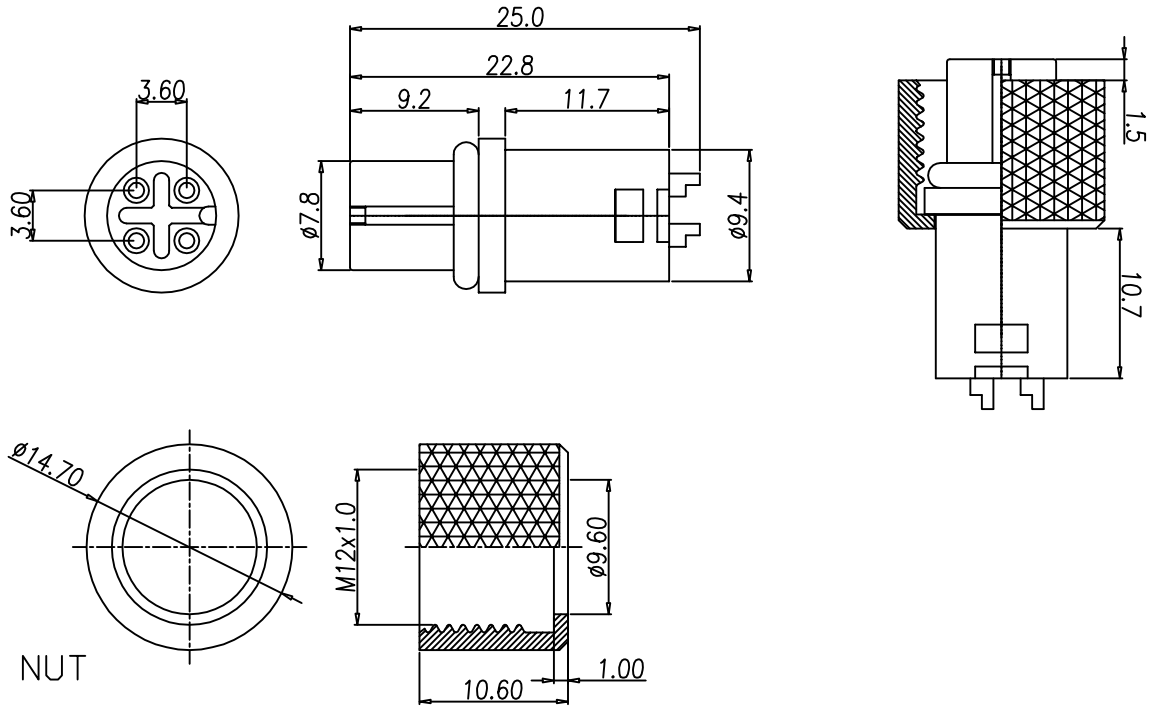


This document is the property of Nian-Yeong Corporation and is delivered on the express condition that it is not to be disclosed, reproduced or used, in whole or in part, for manufacture or sale by anyone other than Nian-Yeong Corporation without its prior consent, and that no right is granted to disclose or to use any information in this document.

CUSTOMER DRAWING

| REV. | DESCRIPTION | APPROVED BY | DATE | ECN NO. |
|------|-------------|-------------|-----------|---------|
| A | RELEASE | Fido Weng | 17/06/09* | |
| B | ADD P/N | KU CHOU | 15/03/21* | |
| C | | | | |



- MATERIAL :
 - 1-1. HOUSING : PBT UL94V-0 ; COLOR : BLACK
 - 1-2. CONTACT : BRASS
 - 1-3. NUT : SEE TABLE A
 - 1-4. O-RING : EPDM ; COLOR ; BLACK(7.5*1.5)
- FINISH :
 - 2-1. CONTACT : SEE TABLE A ; UNDER PLATE : NICKEL
 - 2-2. NUT : SEE TABLE A
- ELECTRICAL SPECIFICATION :
 - 3-1. RATED CURRENT: 4A
 - 3-2. RATED VOLTAGE : 2~4PIN 250V ; 5PIN 60V
 - 3-3. WATER PROOF: IP67
- ENVIRONMENTAL :
 - 4-1. OPERATION TEMPERATURE : -40℃~85℃

TABLE A

| ① | ② | ③ | ④ | ⑤ |
|--------------------------------|--------------------------------|---|------------------------------|--|
| | | | | |
| WP-02F2-36-11 WP-02F2-95-11 | WP-02F2-23-11 WP-02F2-96-11 | WP-03F2-38-11 WP-03F2-152-11 WP-03F2-163-11 | WP-03F2-19 WP-03F2-164-11 | WP-04F2-275-11 WP-04F2-263-11 WP-04F2-44 |
| WP-05F2-207-11 | | | | WP-05F2-196-11 WP-05F2-44 |

| | | |
|----------------|------------|---------------------|
| WP-05F2-207-11 | GOLD 10u" | STAINLESS STEEL 316 |
| WP-04F2-275-11 | GOLD 10u" | STAINLESS STEEL 316 |
| WP-03F2-164-11 | GOLD 10u" | STAINLESS STEEL 316 |
| WP-03F2-163-11 | GOLD 10u" | STAINLESS STEEL 316 |
| WP-02F2-96-11 | GOLD 10u" | STAINLESS STEEL 316 |
| WP-02F2-95-11 | GOLD 10u" | STAINLESS STEEL 316 |
| WP-05F2-196-11 | GOLD FLASH | BRASS/NICKEL |
| WP-04F2-263-11 | GOLD FLASH | BRASS/NICKEL |
| WP-03F2-152-11 | GOLD FLASH | BRASS/NICKEL |
| WP-05F2-44 | GOLD 10u" | BRASS/NICKEL |
| WP-04F2-44 | GOLD 10u" | BRASS/NICKEL |
| WP-03F2-19 | GOLD 10u" | BRASS/NICKEL |
| WP-03F2-38-11 | GOLD 10u" | BRASS/NICKEL |
| WP-02F2-23-11 | GOLD 10u" | BRASS/NICKEL |
| WP-02F2-36-11 | GOLD 10u" | BRASS/NICKEL |
| PART NO | FINISH | NUT MATERIAL/FINISH |